



INDUSTRIAL FLUID POWER COMPONENTS
AND SYSTEMS



VTE-03 SERIES

Electric Actuated Ball Valves

VTE-03-24A-D3BV-32FP



VTE-03-120A-B2BV-32FP



Standard Features

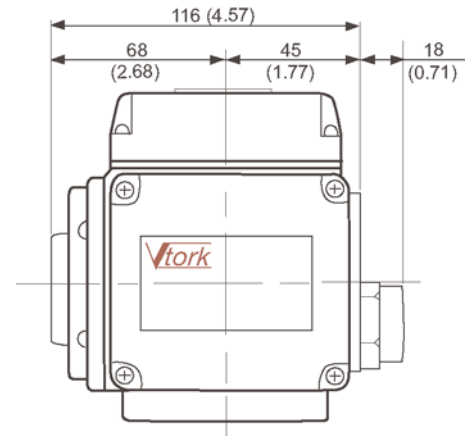
- For Indoor or Outdoor Use
- 24VAC, 120VAC & 24VDC Voltages Available
- For Use With Ball Valves Sizes 1-1/2" thru 2"
- Manual Override Standard
- Double Acting
- IP68 Enclosure
- Suitable for ISO5211 Valves F03, F04, F05 & F07.
Square Valve Stem with Sizes of 14 x 14, 11x11 or 9x9.
Height of 16mm or Less.
- Long Service Life



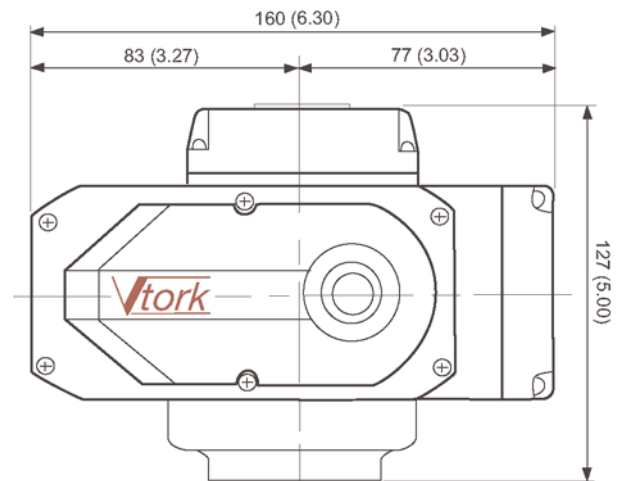
VTE-03-24A

Specifications

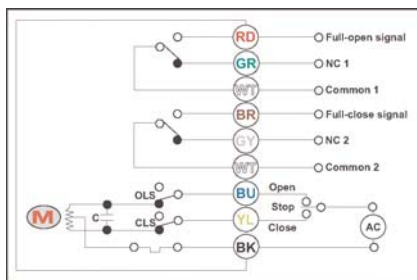
Model	VTE-03		
Power	24VAC	120VAC	24VDC
Output Torque Nm(in.lbs)	30Nm (265 in. lbs.)		
Operation Speed	10 sec.		
Power Consumption	10 W		13 W
Rated Current	1.5 A	0.24 A	1.28 A
Insulation Resistance	100MΩ@500VDC		100MΩ@250VDC
Withstand Voltage	1500VAC@1Min.		550VAC@1Min.
Manual Operation	Detachable Crank Handle (Standard)		
Mounting Direction	All directions		
Ambient Temperature	-30°C - +60°C (-22°F - +140°F)		
Valve Connection	ISO5211, □9/11mm x F03/ F04, □11/14mm x F05/ F07		
Dimensions mm(in.)	117 (4.61)W x 160 (6.3)L x 127 (5.0)H		
Enclosure	IP68		
Housing Material	Die-cast Aluminum Alloy		
Weight kg(lbs)	2.0 (4.4)		



Units: mm (inches)



Wiring Diagram



Valve Assemblies

Brass 2 pc	Brass 3 pc	316 SS 2 pc	316 SS 3 pc
VTE-03-*-B2BV-24FP VTE-03-*-B2BV-32FP	VTE-03-*-B3BV-24FP VTE-03-*-B3BV-32FP	VTE-03-*-D2BV-24FP VTE-03-*-D2BV-32FP	VTE-03-*-D3BV-24FP VTE-03-*-D3BV-32FP
VTE-03-24A-B2BV-32FP	VTE-03-24A-B3BV-32FP	VTE-03-24A-D2BV-32FP	VTE-03-120A-D3BV-32FP

*Available Voltages: 24VAC, 120VAC & 24VDC



Top View



Bottom View

Installation Conditions

- VTE-03 can be installed indoors as well as outdoors.
- VTE-03 is not explosion proof. Flammable and explosive environments should be avoided.
- Maintenance space should be reserved for connection and manual operation.
- The ambient temperature should be within the range of -30°C - +60°C (-22°F - +140°F).
- VTE-03 is not for high temperature environments.

Working Medium Temperature

- When operating with a ball valve, the heat of the working medium will be conducted to the body of the unit.
- When directly mounted to a ball valve, the temperature of the working medium should be 80°C (176°F) or below.
- If the temperature of the working medium is 80°C (176°F) or higher, direct installation is not recommended.

Installation and Application

- VTE-03 is suitable for ISO5211 ball valves. Installation size: F03, F04, F05, F07 square valve stem with sizes of 14x14mm, 11x11mm or 9x9mm.
- During connection, both actuator and valve must be in the closed position.
- After connecting the valve, crank the actuator to full opened and full closed once each to confirm the operation is stable. Check the valve to see if the full opened and full closed positions can be realized within the indication range of the actuator indicator.

Too much force will lead the electric actuator to over-travel and cause damage.

Do not operate the actuator outside the range of the opening indicator.

Notes

Once opened or closed, the actuator **DOES NOT** continue to draw power due to an internal cutoff.

If a power loss occurs the valve will remain in its current position. The actuator is **NOT** spring return.

Ordering Information

VTE-03 - 24A - D3BV - 32 FP

