



INDUSTRIAL FLUID POWER COMPONENTS  
AND SYSTEMS



**S SERIES**

## Steel Ball Valves- High Pressure



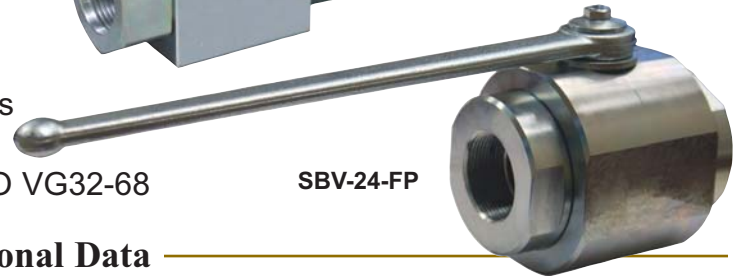
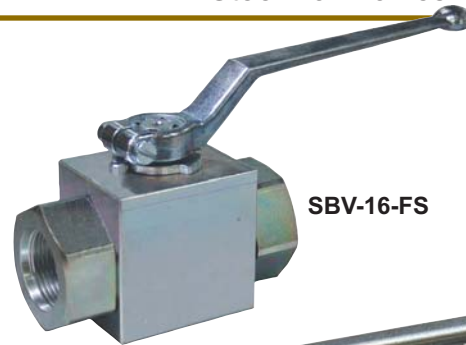
SBV-16-FS



SBV-24-FP

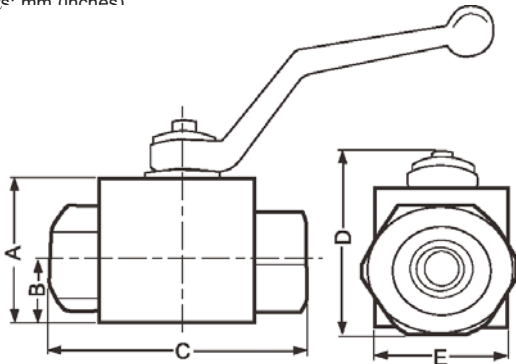
### Specifications

- 1/4" thru 2" Female NPT or SAE
- 3 Piece, Full and Reduced Port Design, Block Style Bodies are Full Port Up To 1", Block Style Bodies Exceeding 1" are Reduced Down to a 1" Port, Round Body Valves are Full Port
- 7250 psi Maximum
- Standard POM Ball Seats with Buna Stem Seals
- Temperature Rating: 14 to 212°F, (-10 to 100°C)
- Recommended for Petroleum Based Fluids- ISO VG32-68

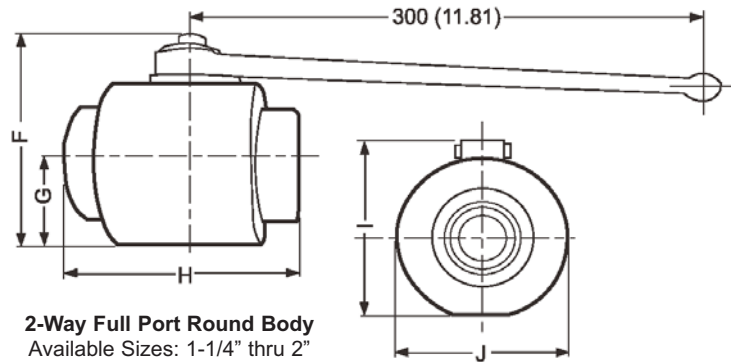


### Dimensional Data

Units: mm (inches)



**2-Way Block Style - Full & Reduced Port**  
Available Sizes: 1/4" thru 1-1/2"

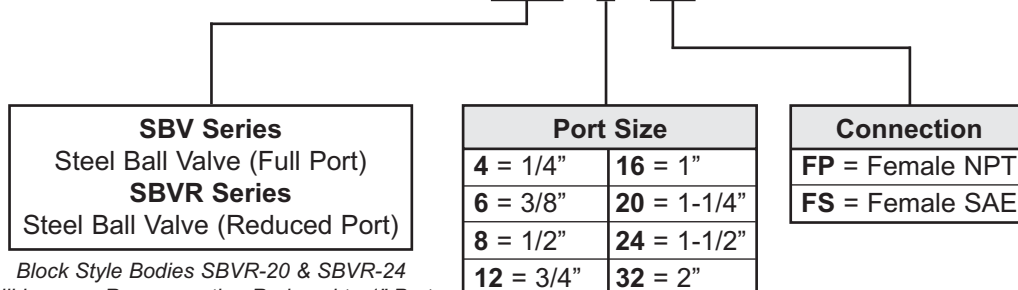


**2-Way Full Port Round Body**  
Available Sizes: 1-1/4" thru 2"

SIZE	A	B	C	D	E	F	G	H	I	J	Max Press
1/4"	35 (1.38)	14 (.55)	71 (2.80)	49 (1.93)	30 (1.18)	—	—	—	—	—	7250 psi
3/8"	40 (1.57)	17 (.67)	73 (2.87)	54 (2.13)	35 (1.38)	—	—	—	—	—	7250 psi
1/2"	43 (1.69)	18 (.71)	83 (3.27)	57 (2.24)	37 (1.46)	—	—	—	—	—	7250 psi
3/4"	55 (2.17)	23 (.91)	95 (3.74)	73 (2.87)	45 (1.77)	—	—	—	—	—	5800 psi
1"	65 (2.56)	29 (1.14)	113 (4.45)	83 (3.27)	55 (2.17)	—	—	—	—	—	5075 psi
1-1/4"	65 (2.56)	29 (1.14)	121 (4.76)	83 (3.27)	55 (2.17)	83 (3.25)	42 (1.65)	115 (4.53)	101 (3.98)	88 (3.46)	5075 psi
1-1/2"	65 (2.56)	29 (1.14)	124 (4.88)	83 (3.27)	55 (2.17)	98 (3.86)	48 (1.89)	131 (5.16)	115 (4.53)	102 (4.03)	5075 psi
2"	—	—	—	—	—	103 (4.06)	52 (2.03)	140 (5.51)	120 (4.72)	109 (4.29)	5075 psi

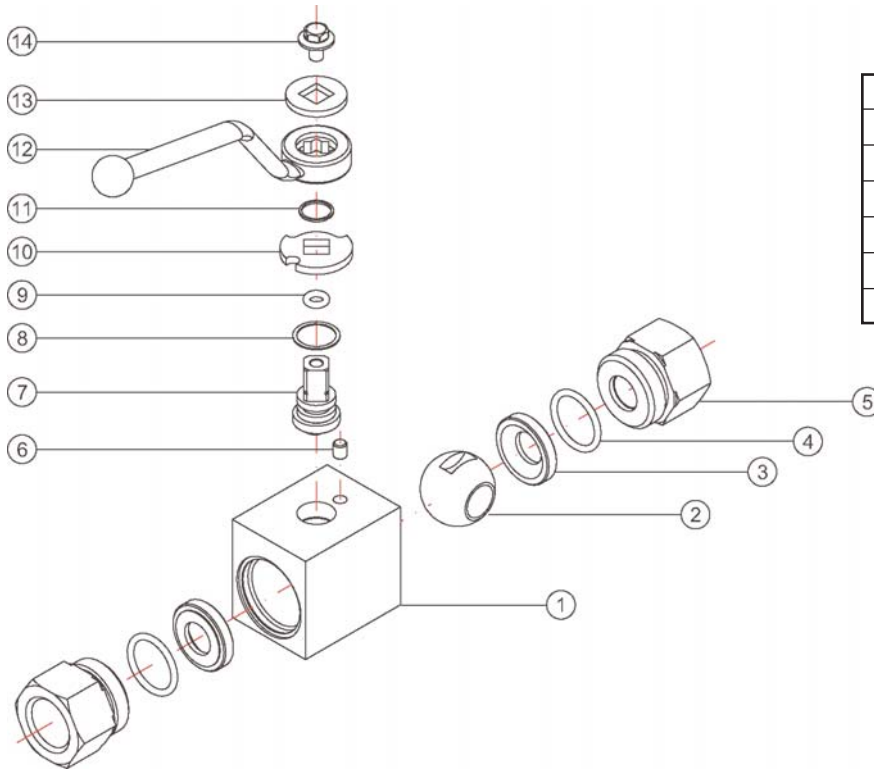
### Ordering Information

#### SBV - 4 - FP



Block Style Bodies SBVR-20 & SBVR-24 will have an R representing Reduced to 1" Port. Round Style Bodies are Full Port.

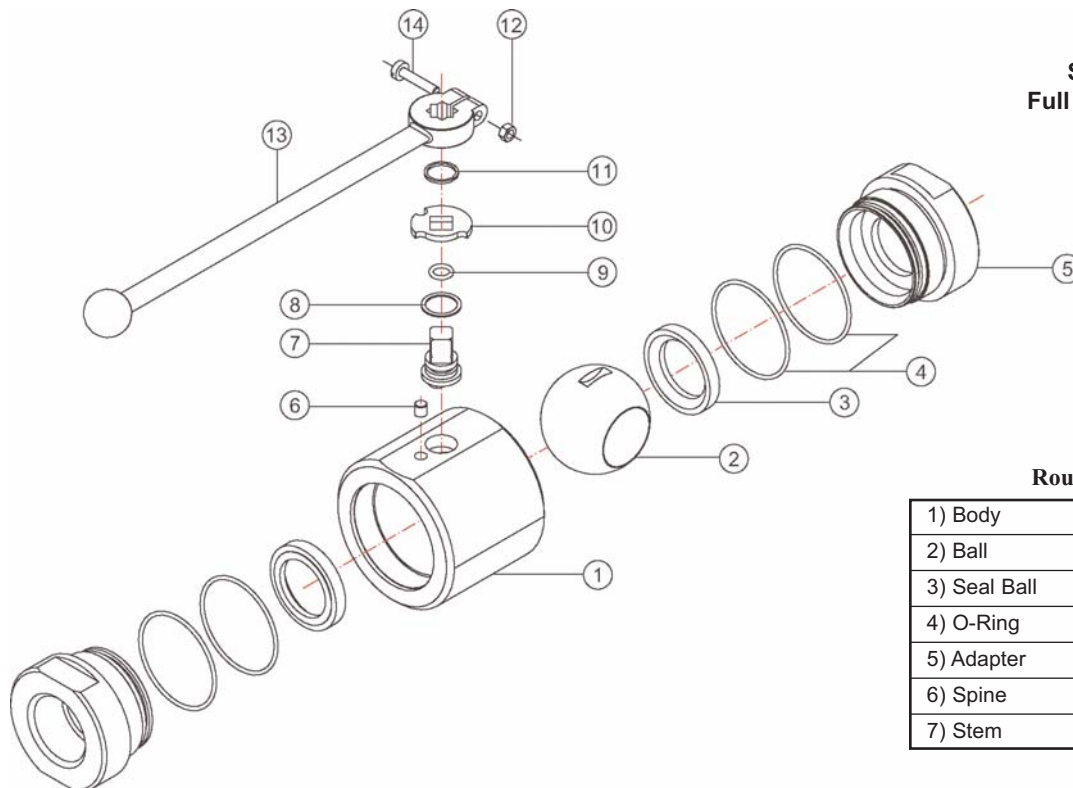
## Parts Breakdown



**Block Style 1/4" thru 1-1/2"**

1) Body	8) Seal-stem
2) Ball	9) O-Ring
3) Seal Ball	10) Washer
4) O-Ring	11) Seeger
5) Adapter	12) Handle
6) Spine	13) Washer
7) Stem	14) Screw

**Steel Ball Valves  
Full & Reduced Port (Block Style)  
1/4" thru 1-1/2"**



**Steel Ball Valves  
Full Flow (Round Body)  
1-1/4" thru 2"**

**Round Body 1-1/4" thru 2"**

1) Body	8) Seal-stem
2) Ball	9) O-Ring
3) Seal Ball	10) Washer
4) O-Ring	11) Seeger
5) Adapter	12) Screw
6) Spine	13) Handle
7) Stem	14) Nut