



INDUSTRIAL FLUID POWER COMPONENTS
AND SYSTEMS



D SERIES

Stainless Steel Ball Valves



DBV-12-FP-V2



DBV-4-FP-V2



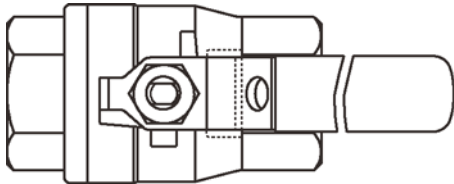
DBV-20-FP-V2



D Series Stainless Steel Ball Valves

Specifications

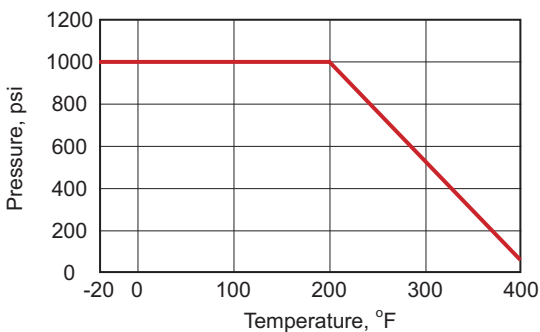
- 1/4" thru 2" Female NPT
- 2 Piece, Full Ported Design
- 1000 psi Maximum (see pressure vs. temp. chart)
- Oil, Water, Air and General Chemical Service
- Temperature Rating: -20 to 350°F, (-25 to 175°C)



Materials

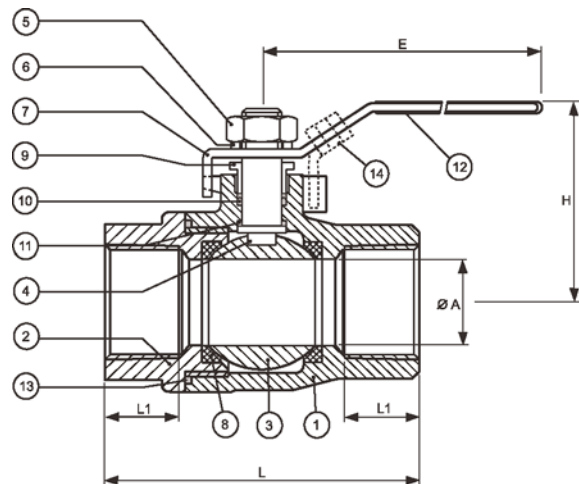
1. Body- ASTM A351 GR. CF8M
2. End Cap- ASTM A351 GR. CF8M
3. Ball- 316SS
4. Stem- 316SS
5. Stem Nut- 304SS
6. Stem Washer- 304SS
7. Handle- 304SS
8. Seat- PTFE
9. Gland Nut- 304SS
10. Stem Packing- PTFE
11. Thrust Washer- PTFE
12. Handle Sleeve- Vinyl
13. Joint Gasket- PTFE
14. Locking Device (option "V2")- 304SS

Pressure/ Temperature Curve



Dimensional Data

Units: mm (inches)



SIZE	Model	Ø A	E	H	L1	L	Wt kg (lb)
1/4"	D-BV-4FP-V2	11.2(0.44)	96(3.78)	50(1.96)	12(0.47)	49(1.93)	0.23(0.50)
3/8"	D-BV-6FP-V2	12.6(0.49)	98(3.86)	50(1.96)	13(0.51)	55(2.17)	0.23(0.50)
1/2"	D-BV-8FP-V2	15.0(0.59)	98(3.86)	55(2.17)	14(0.55)	52(2.05)	0.36(0.79)
3/4"	D-BV-12FP-V2	20.0(0.78)	114(4.49)	64(2.52)	16(0.63)	60(2.36)	0.47(1.03)
1"	D-BV-16FP-V2	25.0(0.98)	125(4.92)	67(2.64)	18(0.71)	72(2.83)	0.82(1.81)
1-1/4"	D-BV-20FP-V2	32.0(1.26)	138(5.43)	84(3.31)	20(0.79)	87(3.43)	1.17(2.58)
1-1/2"	D-BV-24FP-V2	38.0(1.49)	190(7.48)	86(3.38)	22(0.86)	110(4.33)	1.82(4.01)
2"	D-BV-32FP-V2	50.0(1.96)	190(7.48)	95(3.74)	25(0.98)	126(4.96)	2.83(6.24)

Ordering Information

DBV - 4 - FP - V2

