



INDUSTRIAL FLUID POWER COMPONENTS
AND SYSTEMS



D2 SERIES

Stainless Steel Ball Valves- ISO5211 2 Piece



D2BV-16-FP-V2

D2BV-8-FP-V2



D2BV-24-FP

Specifications

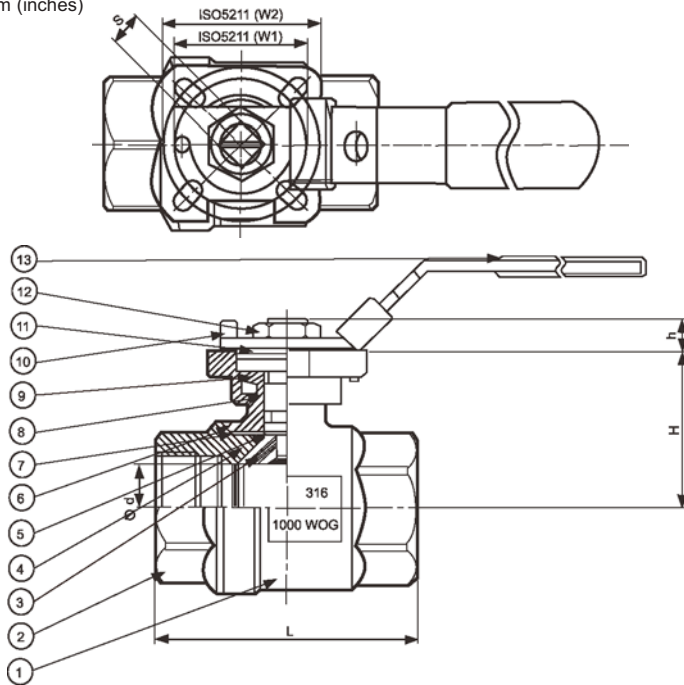
- 1/2" thru 2" Female NPT
- 2 Piece, Full Ported Design
- ISO5211 Direct Mounting Pad
- 1000 psi Maximum
- Anti-Blowout Stem - Weep Hole
- Adjustable Vee Style Stem Packing
- Oil, Water, Air and General Chemical Service
- Temperature Rating: -20 to 350°F, (-25 to 175°C)



D2BV-24-FP

Dimensional Data

Units: mm (inches)



Materials

1. Body- ASTM A351 GR. CF8M
2. Cap- ASTM A351 GR. CF8M
3. Ball- ASTM A351 GR. CF8M
4. Stem- ASTM A276 GR. 316
5. Seat- PTFE
6. Gasket- PTFE
7. Thrust Washer- PTFE
8. Packing- PTFE
9. Gland- 304SS
10. Handle- 304SS
11. Spring Washer- 304SS
12. Handle Nut- 304SS
13. Handle Sleeve- Vinyl

SIZE	Model	∅ d	L	H	h	S	W1	W2	ISO5211	Wt kg (lb)
1/2"	D2-BV-8FP-V2	15.0(0.59)	60 (2.36)	38 (1.50)	7 (0.28)	9 (0.35)	36 (1.42)	42 (1.65)	F03/ F04	
3/4"	D2-BV-12FP-V2	20.0(0.79)	70 (2.75)	42.4(1.67)	9 (0.35)	9 (0.35)	36 (1.42)	42 (1.65)	F03/ F04	
1"	D2-BV-16FP-V2	25.0(0.98)	82 (3.23)	48.5(1.91)	12 (0.47)	11 (0.43)	42 (1.65)	50 (1.97)	F04/ F05	
1-1/4"	D2-BV-20FP-V2	32.0(1.26)	96 (3.78)	54 (2.13)	12 (0.47)	11 (0.43)	42 (1.65)	50 (1.97)	F04/ F05	
1-1/2"	D2-BV-24FP-V2	38.0(1.50)	112 (4.41)	66 (2.60)	16 (0.63)	14 (0.55)	50 (1.97)	70 (2.75)	F05/ F07	
2"	D2-BV-32FP-V2	50.0(1.97)	126 (4.96)	74 (2.91)	16 (0.63)	14 (0.55)	50 (1.97)	70 (2.75)	F05/ F07	

Ordering Information

D2BV - 16 - FP - V2

