

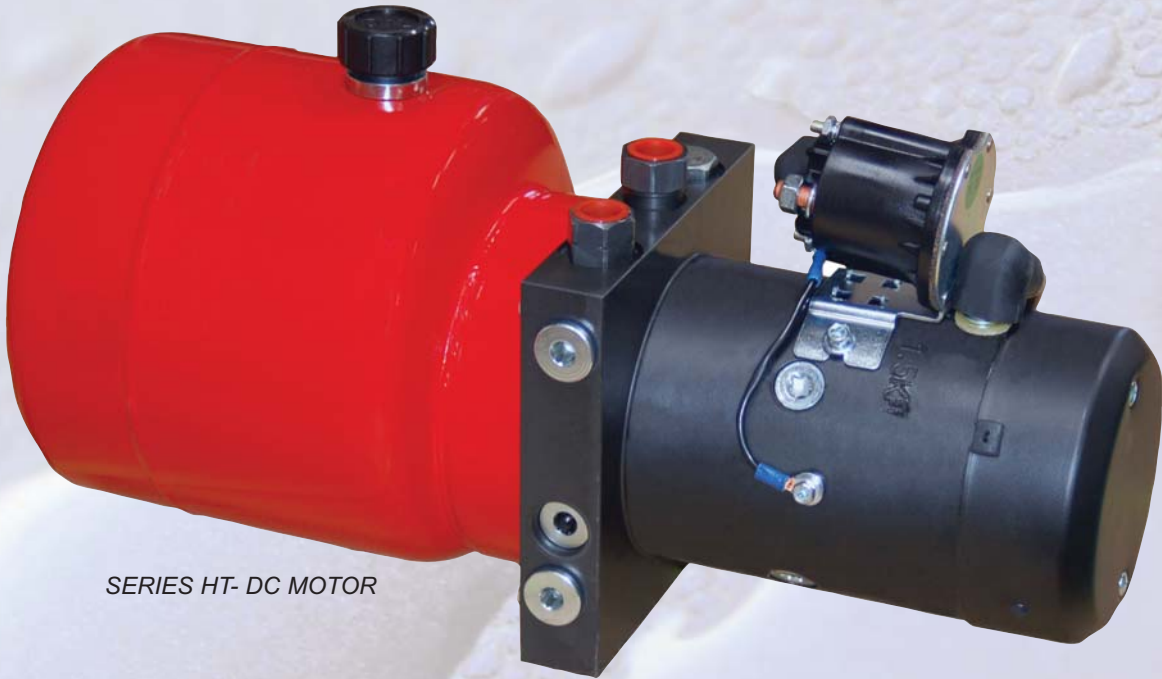


INDUSTRIAL FLUID POWER COMPONENTS
AND SYSTEMS



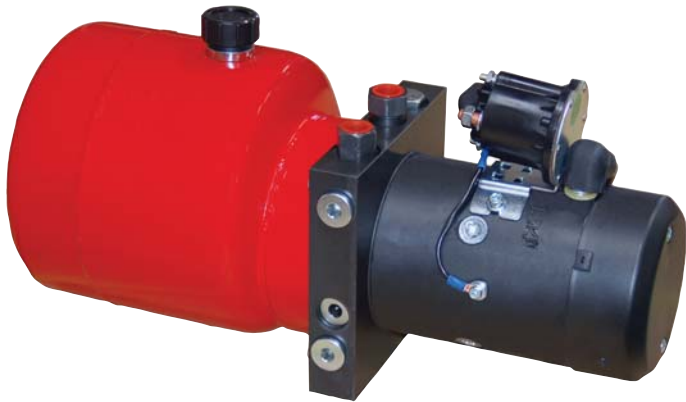
HT SERIES

DC Motor Small Power Units



SERIES HT- DC MOTOR

Ordering Information

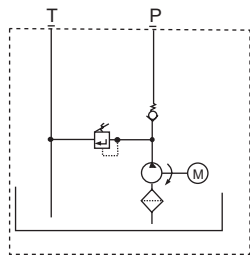


HT 2 - 12VDC - G.7 - DVP

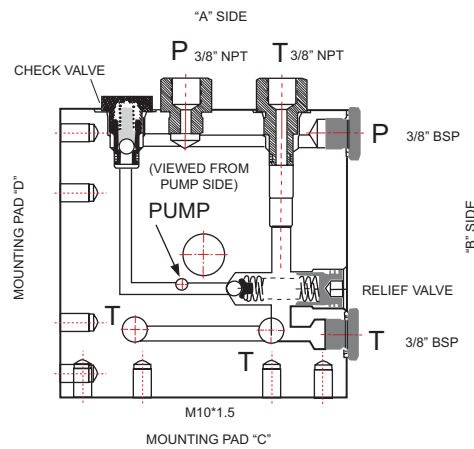
Gallons	Voltage	Flow	Options
0.8	12	.7	DV Dump Valve (specify voltage & current type)
1.3	24	.9	DVP Dump Valve w/ Pendant
2		(GPM@1800)	D03 Manifold (specify number of manifold stations & type of circuit: parallel or series)

Rated @ 2500 PSI Max.
Intermittent Duty

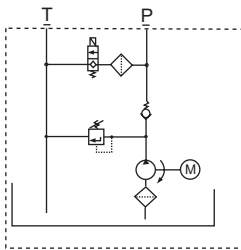
Standard Configuration



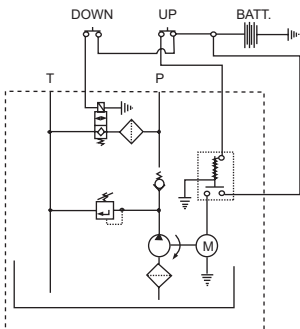
Hyd. Schematic



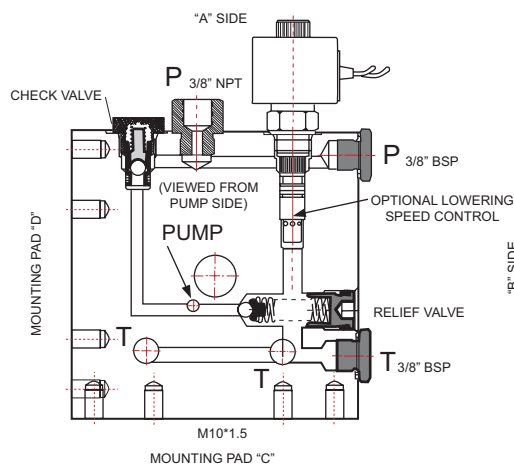
With Lowering Valve- DV



Hyd. Schematic



Hyd. Schematic & Electric Schematic



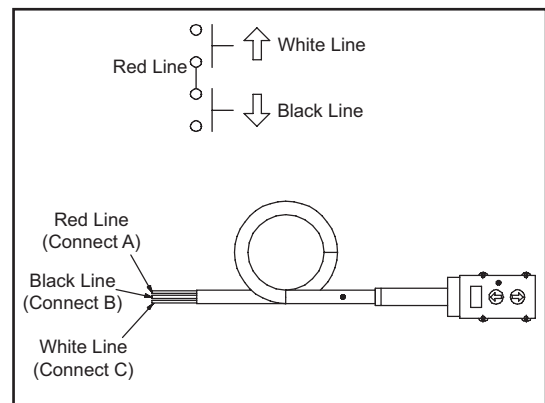
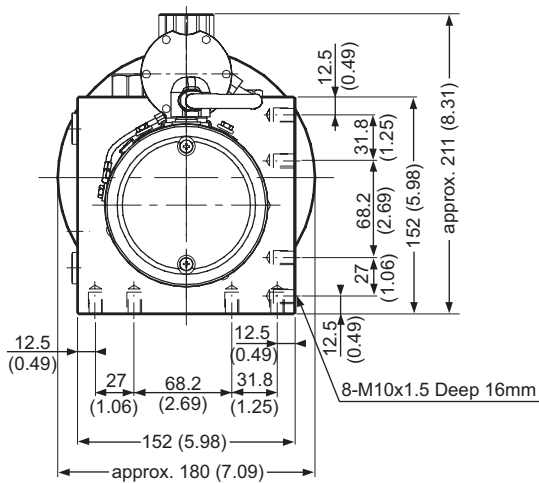
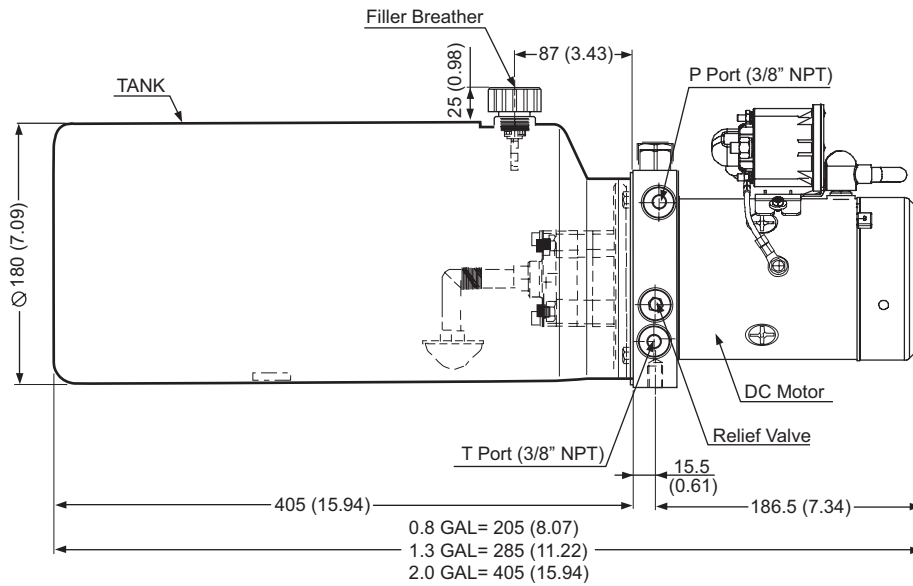
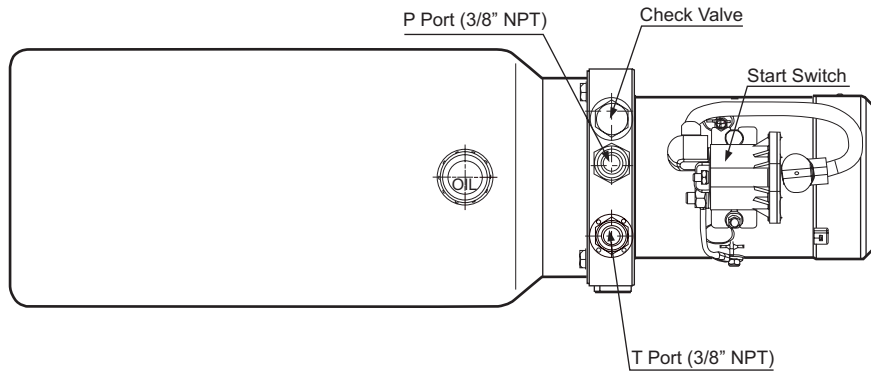
(Red Wire is Common)

Unit supplied with 2 button pendant w/ 4 meter cable.



Dimensional Data

Units: mm (inches)



Unit supplied with 2 button pendant w/ 4 meter cable.

Optional Manifolds/ Adapter

Units: mm (inches)

