



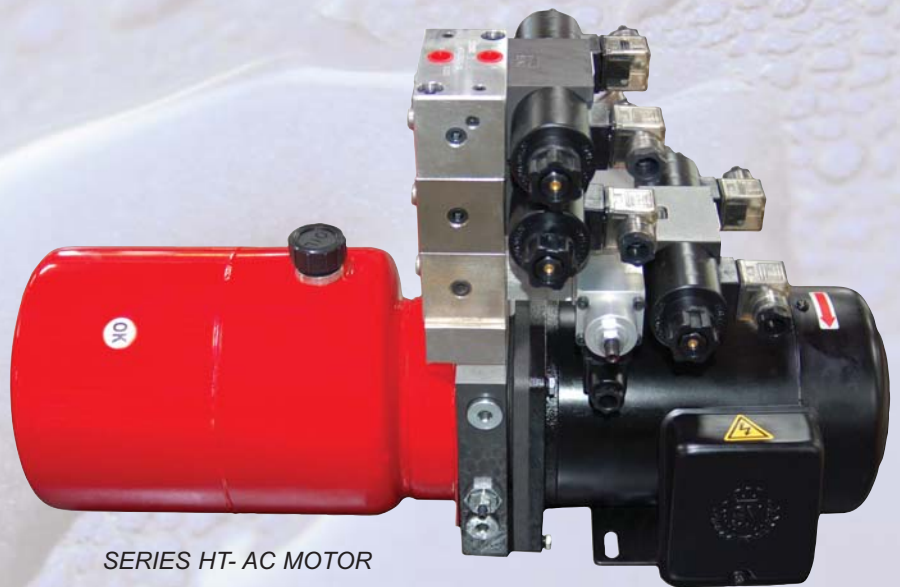
INDUSTRIAL FLUID POWER COMPONENTS  
AND SYSTEMS

**HT & VT SERIES**

## AC Motor Small Power Units



*SERIES VT- AC MOTOR*



*SERIES HT- AC MOTOR*



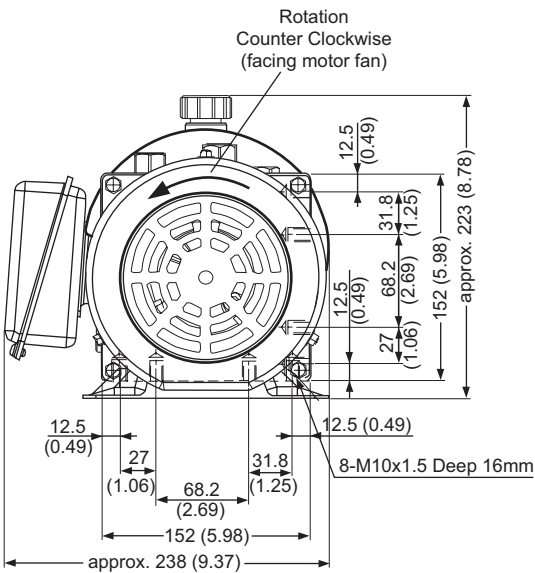
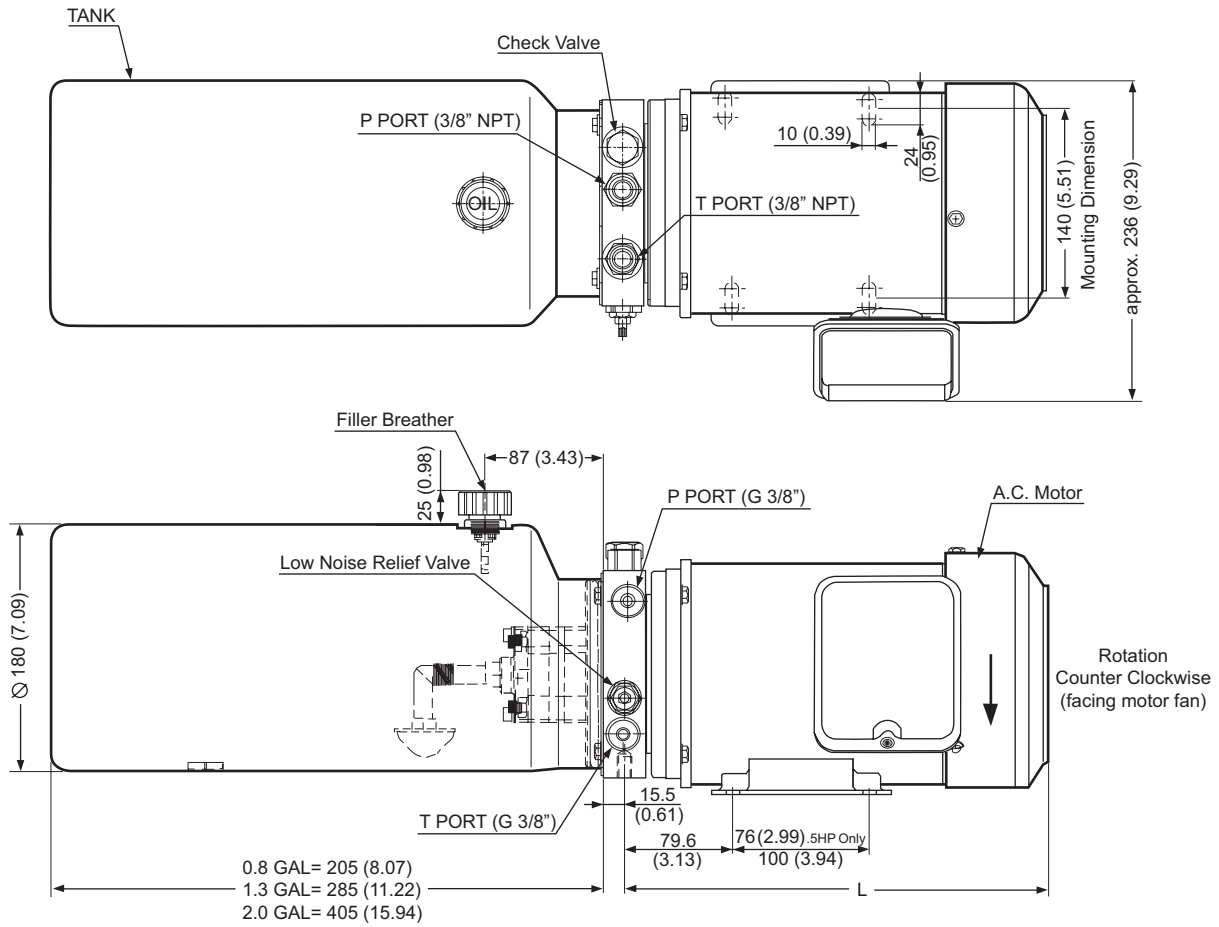


# HT & VT Series

## Series HT- AC Motor Small Power Units

### Dimensional Data

Units: mm (inches)

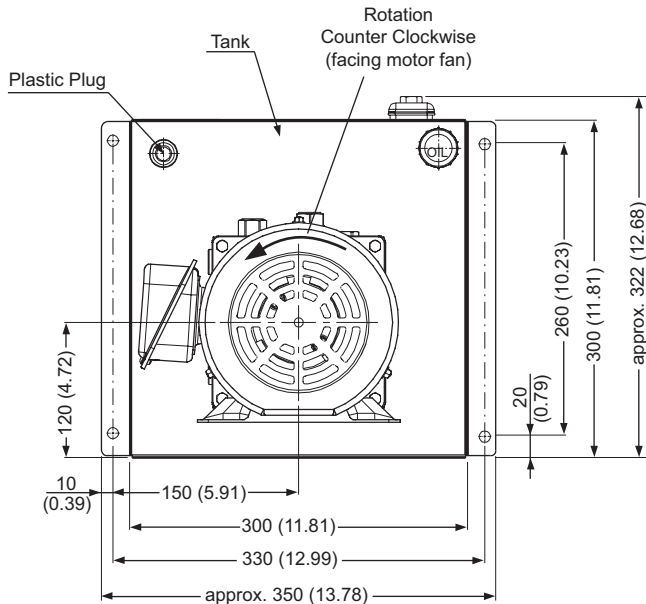
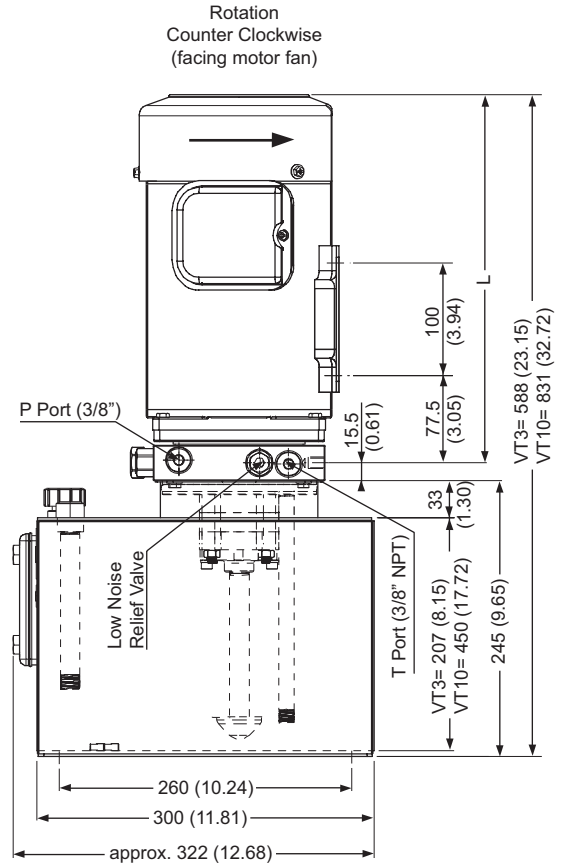
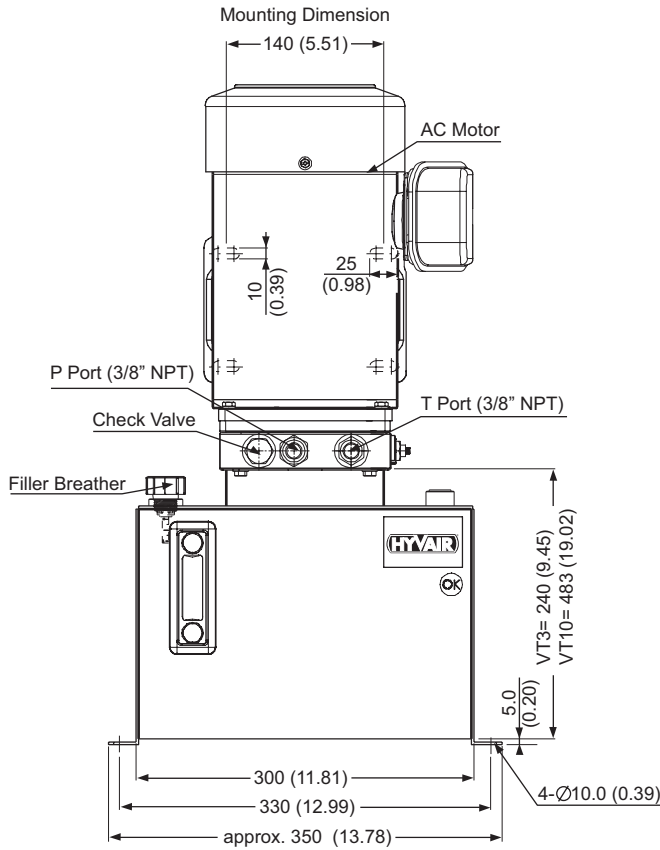


MOTOR	POWER	PHASE	VOLTAGE	HERTZ	"L" DIM
.5HP1	.5HP	1	110/220	60	253 (9.96")
1HP1	1HP	1	110/220	60	311 (12.24")
1HP3	1HP	3	220/440	60	284.8 (11.21")
2HP1	2HP	1	110/220	60	327 (12.87")
2HP3	2HP	3	220/440	60	311 (12.24")
3HP3	3HP	3	220/440	60	327 (12.87")

All motors are rated at 1725 RPM

### Dimensional Data

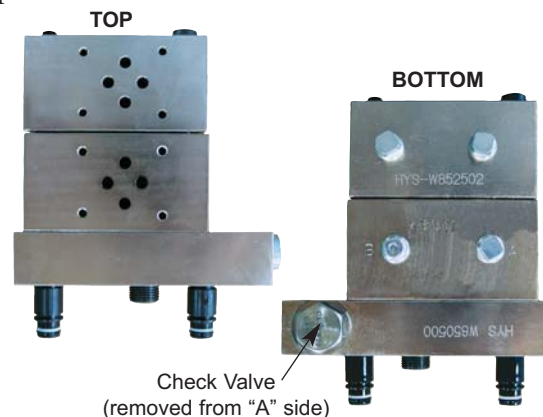
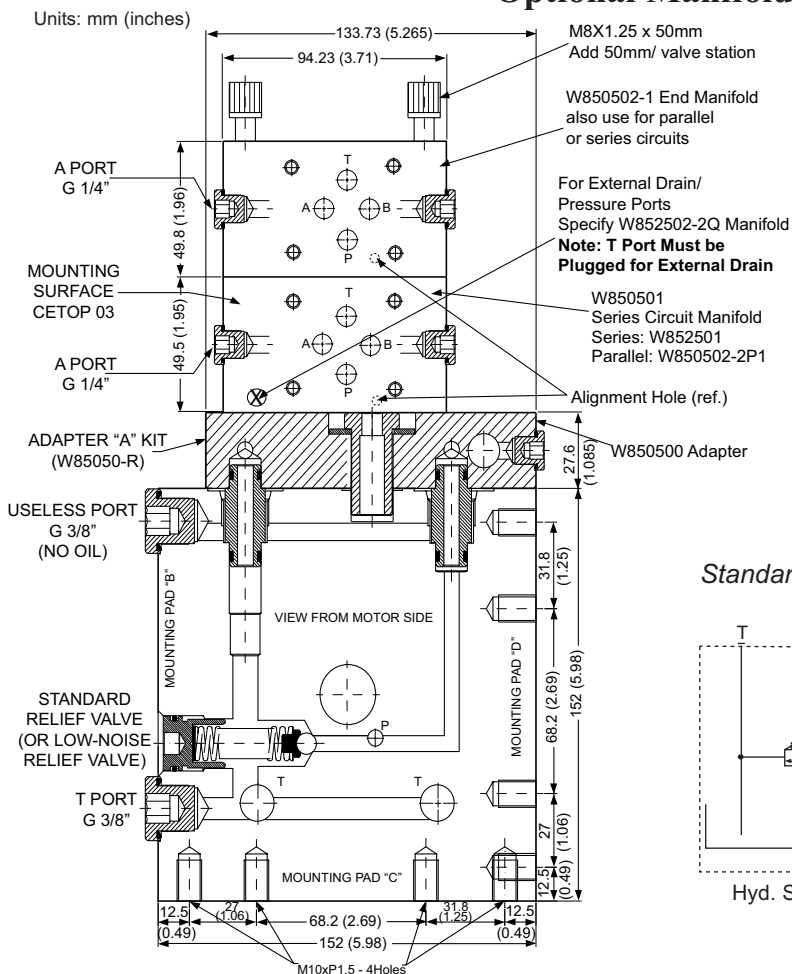
Units: mm (inches)



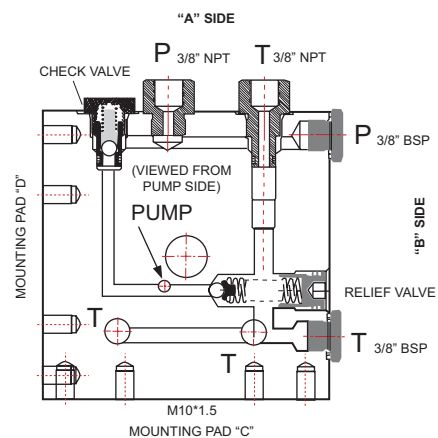
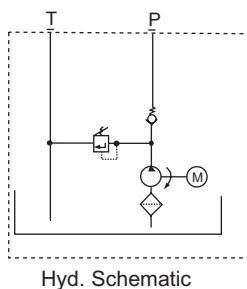
MOTOR	POWER	PHASE	VOLTAGE	HERTZ	"L" DIM
.5HP1	.5HP	1	110/220	60	253 (9.96")
1HP1	1HP	1	110/220	60	311 (12.24")
1HP3	1HP	3	220/440	60	284.8 (11.21")
2HP1	2HP	1	110/220	60	327 (12.87")
2HP3	2HP	3	220/440	60	311 (12.24")
3HP3	3HP	3	220/440	60	327 (12.87")

All motors are rated at 1725 RPM

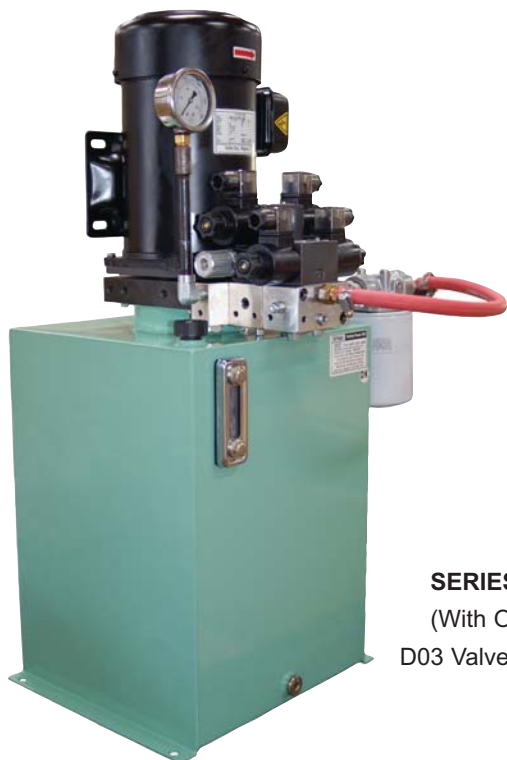
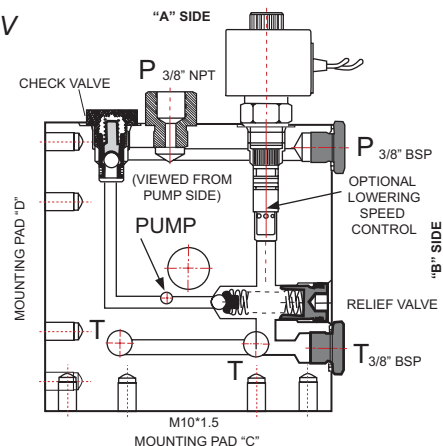
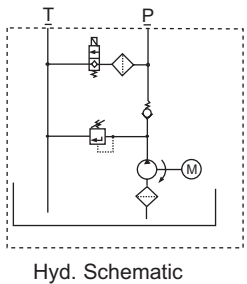
### Optional Manifolds/ Adapter



#### Standard Configuration



#### With Lowering Valve- DV



**SERIES VT10- AC MOTOR**  
 (With Optional Return Filter,  
 D03 Valves, Adapter & Manifolds)