

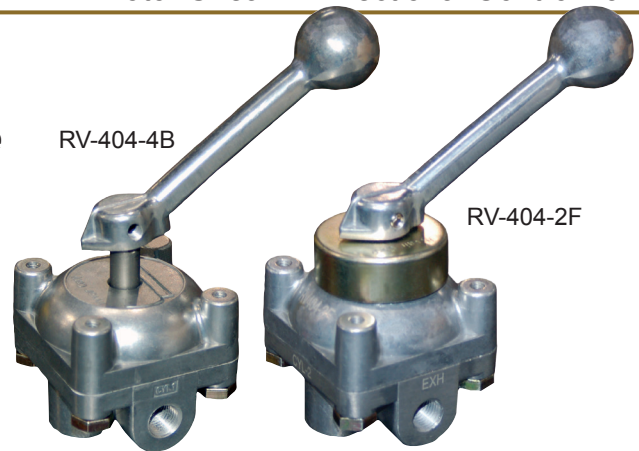
Features

- Rotor Shear™ Technology
- Spring Return Option
- Easy Panel Mounting

Pilot Valve for Pneumatic Valve Actuators

Standard Working Conditions

- **Working Pressure:** 250 psi (17.2 bar) Pneumatic
- **Cv, Minimum Orifice:** 2.3
- **Back Pressure:** Must not exceed 250 psi (17.2 bar) at return port for satisfactory operation
- **Proof Pressure:** 1-1/2 times working pressure except at return port (without damage)
- **Burst Pressure:** 2-1/2 times working pressure except at return port
- **Media Temperature Range:** -40° to +250°F (-40° to +121° C)
- **Handle Rotation:** 90°; 45° each side of center

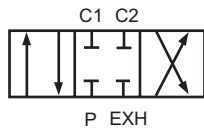


Material

- **Body:** Anodized Aluminum
- **Standard O-Rings:** Buna N
- **Pressure Seals:** Brass
- **Rotor:** Hard Anodized Aluminum

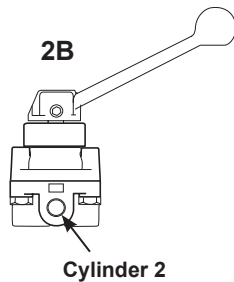
Model	Port Size	Min. Flow Passage Dia.	Cv Factor	Air Rated Pressure psi (bar)	Approx. Weight lbs (kg)
RV-404	1/4" NPT	3/8"	2.3	250 (17.2)	2 (0.9)
RV-406	3/8" NPT	3/8"	2.3	250 (17.2)	2 (0.9)

B Rotor (Valve Function/ Port Location)

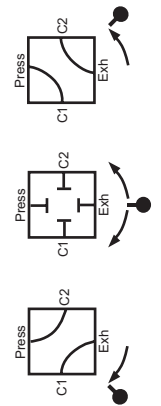
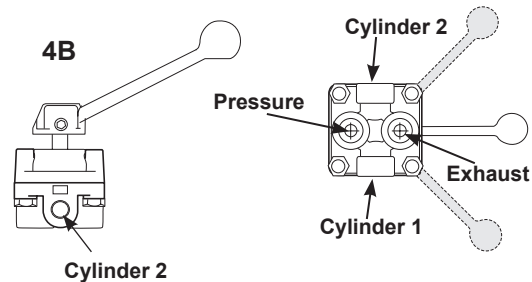


BLOCKED CENTER
4-Way 3- Position,
Closed Center
Selector
3 position detent

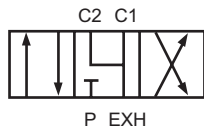
Spring Centered



3 Position Detented

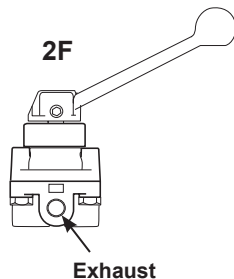


F Rotor (Valve Function/ Port Location)

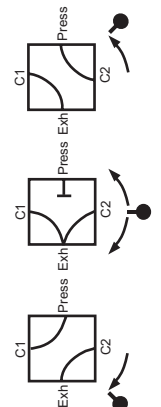
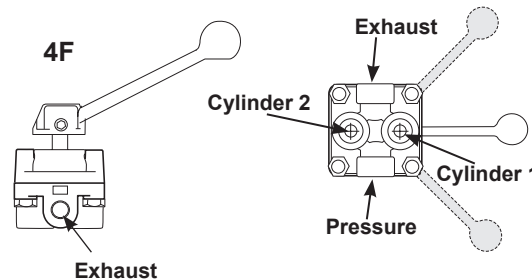


VENTED CENTER
4-Way 3- Position,
Closed Center
3 position detent
(Also called Manipulator
Closed Center)

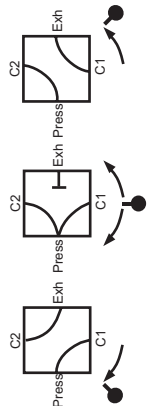
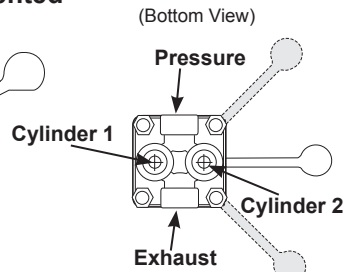
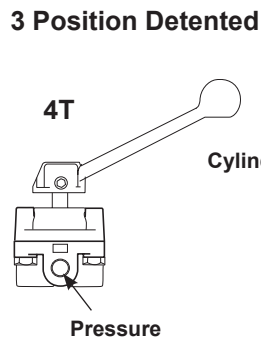
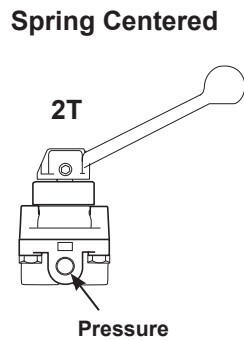
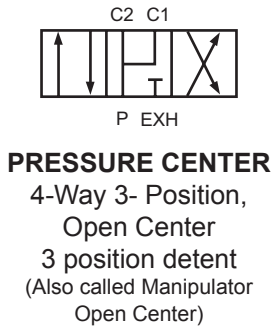
Spring Centered



3 Position Detented

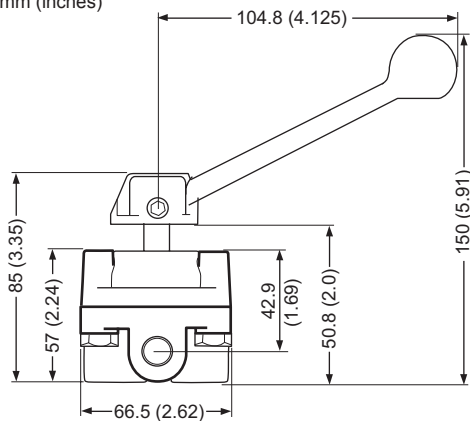


T Rotor (Valve Function/ Port Location)

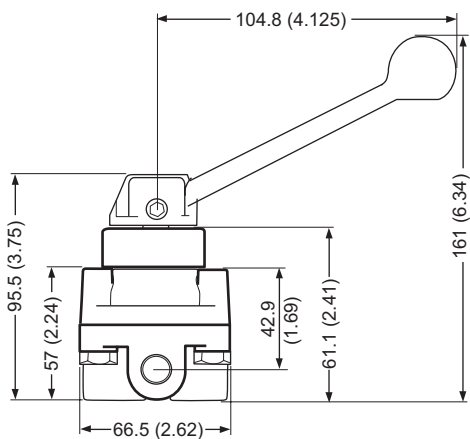
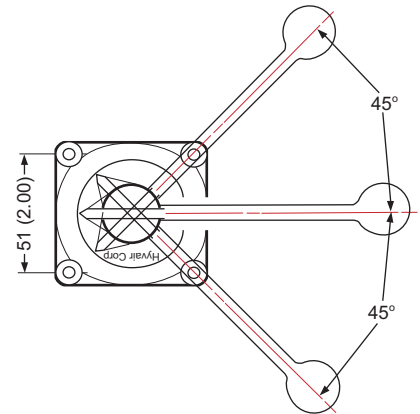
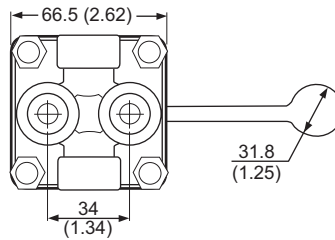


Dimensional Data

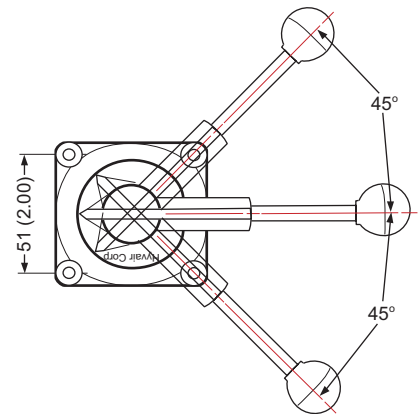
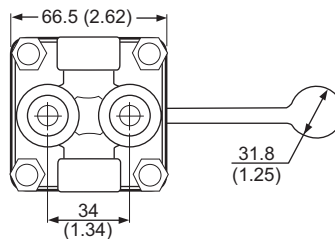
Units: mm (inches)



RV-404/ 406D



RV-404/ 406S



Ordering Information

RV - 404 - 2 F

RV Series Rotor Shear™ Directional Control Valves	404	1/4" Ports	2	3 position, spring centered	B	All Ports Blocked
	406	3/8" Ports	4	3 position, detented	F	P Blocked, A & B to T
					T	T Blocked, A & B to P