



INDUSTRIAL FLUID POWER COMPONENTS  
AND SYSTEMS



## PS20 SERIES

### Pressure Switches

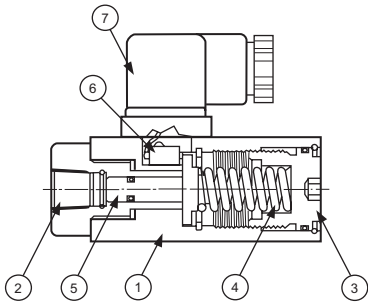


PS20-2K



PS20-1.5K-K

## Ordering Information



1. Body- (Iron)
2. Connection Port 1/4"
3. Pressure Adj. Screw
4. Spring
5. Piston
6. Micro Switch
7. Electrical DIN Conn.

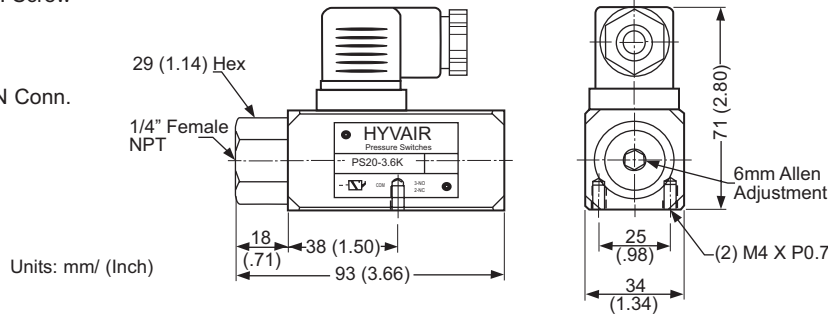
### PS20 - 2K

PS20 Series  
Pressure  
Switch

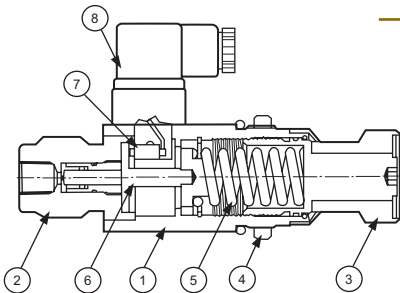
Pressure Range
.5K = 90-500 psi
1K = 90-1000 psi
2K = 200-2000 psi
3.6K = 500-3600psi



PS20 Pressure Switch



## Ordering Information



1. Body- (Iron)
2. Connection Port 1/4"
3. Pressure Adj. Knob
4. Panel Mount Nut
5. Spring
6. Piston
7. Micro Switch
8. Electrical DIN Conn.

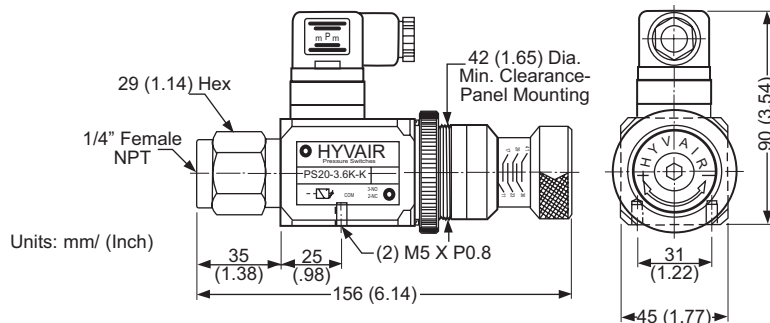
### PS20 - 5K - K

PS20 Series  
Pressure  
Switch

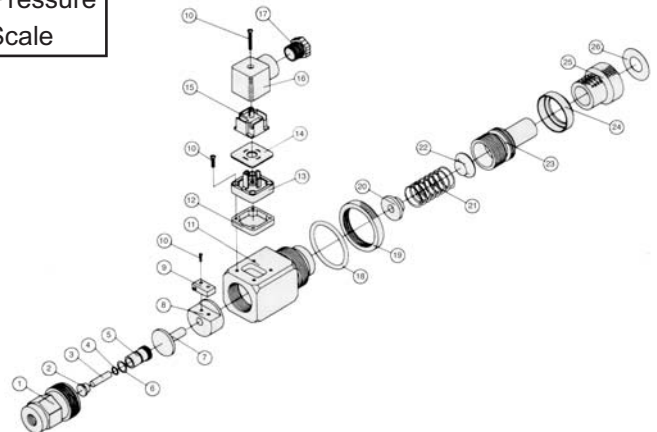
Pressure Range
1.5K = 200-1000 psi
3.6K = 500-3600 psi
5K = 700-5000psi



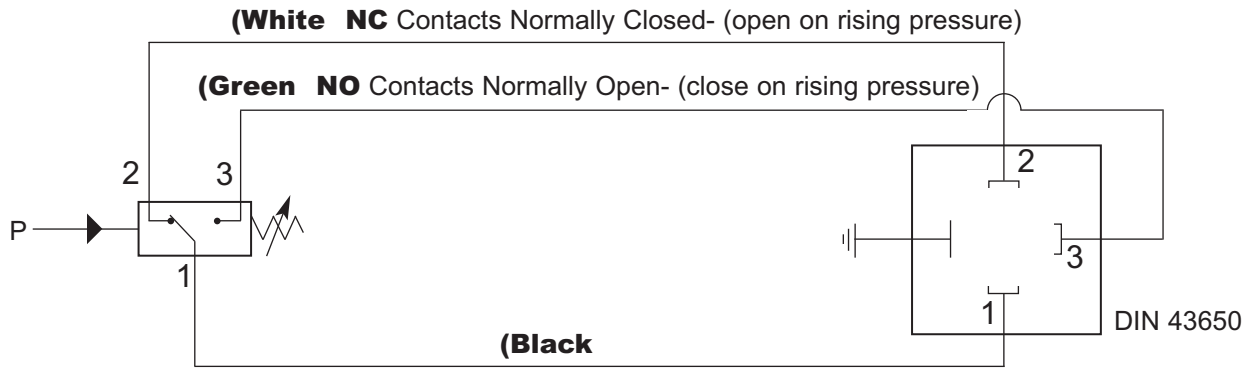
PS20 Pressure Switch  
"K" Knob Option



**Option**  
K = Knurled Adjustment  
Knob with Pressure  
Read Out Scale



### Graphic Symbol



### Specifications

Fluid:  
Hydraulic, lubricating and light oils

Construction:  
Piston actuated

Adjustment Range:  
90 - 5200 psi (6 - 350 bar)

Ambient Temperature:  
(130° to 175° F (-25° to 80° C))

Maximum Viscosity:  
450 SSU (1000 mm<sup>2</sup>/s)

Maximum Switching Rate:  
20 cycles/ min

Repeatability:  
± 3%

Electrical Connection:  
DIN 43650 Table A

Mounting:  
Arbitrary

Switching Element:  
Microswitch

Switch Ratings:

	Resistive	Inductive
14 VDC	3A	1.5A
30VDC	2A	1A
120VAC	3A	1A
240VAC	3A	0.5A

### Hysteresis Diagrams (PSI)

