



INDUSTRIAL FLUID POWER COMPONENTS
AND SYSTEMS



PRC20 SERIES

Pressure Reducing Valves



Specifications

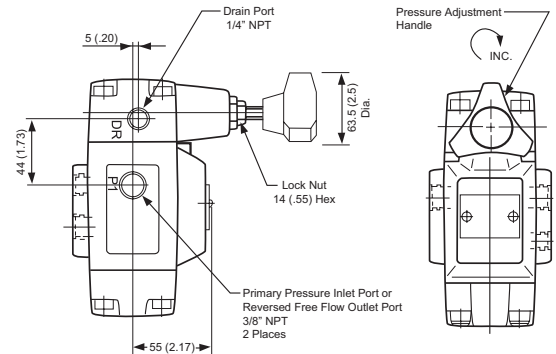
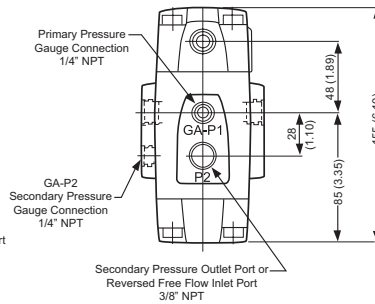
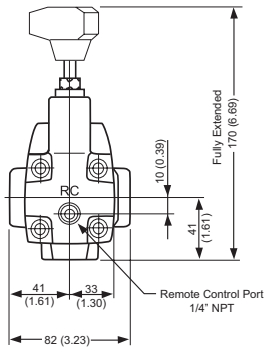
- 3/8", 3/4" NPT Ports
- Maximum Flow: (Inlet @3000 psi):** 3/8"= 13gpm, 3/4"= 33gpm
- Pilot Flow:** 3/8" & 3/4" = 0.25 gpm
- 3K pressure standard (adj. 1000-3000 psi)
- 1K pressure range available (100-1000 psi)
- Series PRC20 - with reverse flow check
- Recommended for petroleum based fluids- ISO VG32-68
- Recommended filtration- 10 micron
- Cold starts: 250 SUS maximum viscosity
- Maximum Temperature:** 180°F, (82.2°C) or minimum fluid viscosity of 80 SUS
- All PRC20 pressure reducing valves may be vented to obtain remote pressure control (use direct acting remote relief see DR2 series). Use small diameter line when plumbing the remote relief as short in length as possible to prevent pressure surges.



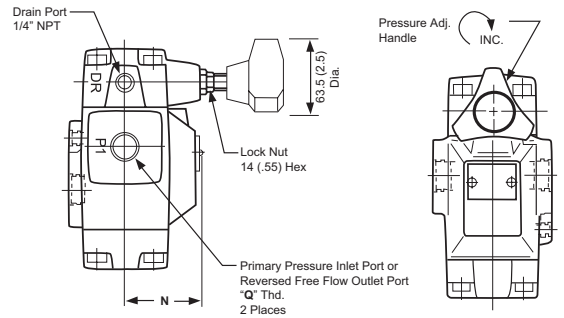
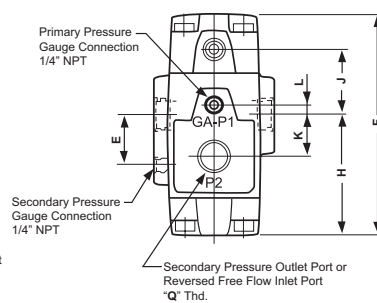
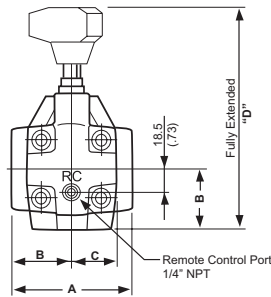
Dimensional Data

Units: mm (inches)

PRC20-6FP
3/8" Pressure Reducing Valve with Reverse Flow Check (shown)



PRC20-12FP - 3/4"
Pressure Reducing Valves with Reverse Flow Check (shown)



Model	A	B	C	D	E	F	H	J	K	L	N	Q
PRC20-12FP	95 (3.74)	47.5 (1.87)	36.5 (1.44)	167 (6.57)	42 (1.65)	1.82 (7.17)	100 (3.94)	52 (2.05)	33 (1.30)	9 (0.35)	63 (2.48)	3/4" NPT

Ordering Information

PRC20 - 12 - FP - 3K

