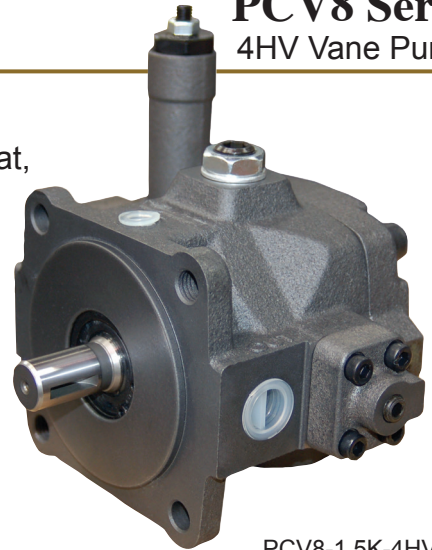




PCV8 Series 4HV Vane Pumps

Features

- **Variable Volume, Pressure Compensated Design:** Reduces heat, noise and horsepower requirements. Pump maintains constant pressure while matching system flow demands.
- **Quiet Operation:** Noise levels as low as 70 dBA.
- **Compact and Simple Design:** Dependable operation- compensator not prone to contamination.
- **Long Service Life:** Sturdy construction, precise machining ensures durability
- **Volume Adjustment Standard:** Pumps can be reduced as much as 50% of total maximum displacement.

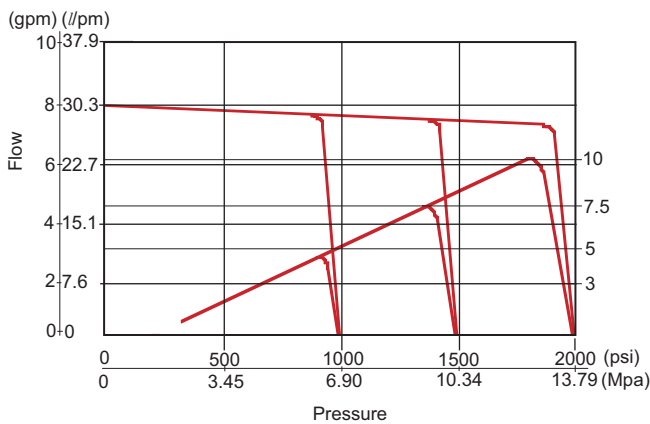


PCV8-1.5K-4HV-1

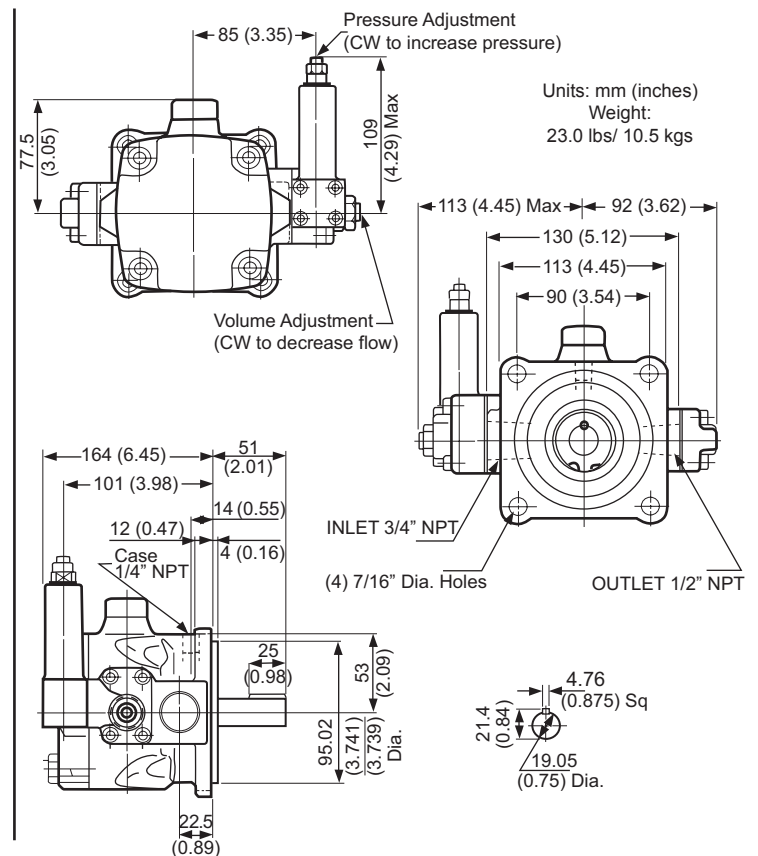
Specifications

Typical performance curves based on ISO VG46 Oil @ 120°F, (49°C)

PCV8-2K 1750 RPM, 7.9 GPM (at no load), 2000 PSI Max



Dimensional Data



Ordering Information

PCV8 - 2K - 4HV - 1

Size (gpm)	Code	Press Range	Mounting Style	Series 1 Porting
8	1.5K	500-1500 psi	4HV= 4HV Mount, 4 Bolt, 3.74" dia. pilot & 5.0" bolt circle, 3/4" dia. Keyed Shaft x 1.45" Long w/ 3/16" Key, w/ Flow Adj.	3/4" inlet, 1/2" outlet 1/4" case, all female NPT
	2K	1000-2000 psi		

