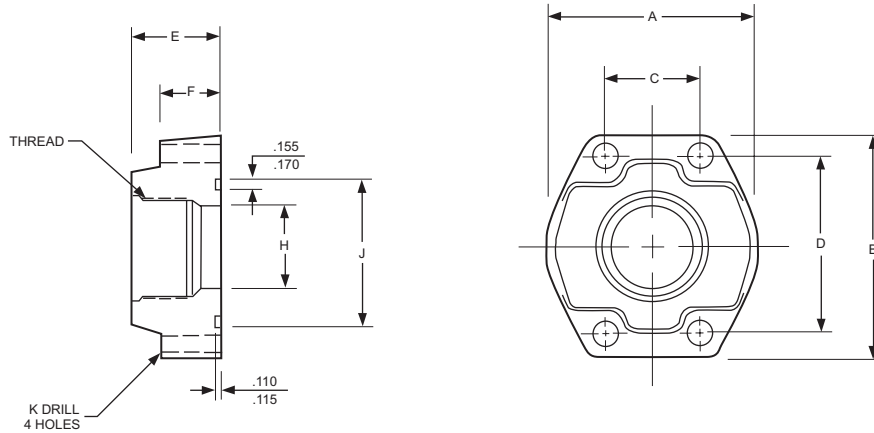


FLUID POWER DATA

3000 PSI FLANGE DIMENSIONS



SAE O-RING CODE 61 DIMENSIONS



THREAD (NORMAL FLANGE SIZE)	A	B	C +0.010	D +0.010	F	H DIA	J DIA
1/2	1.87	2.12	0.688	1.500	.91	0.50	<u>1.005</u> 1.00
3/4	2.06	2.56	0.875	1.875	.84	0.75	<u>1.255</u> 1.250
1	2.31	2.75	1.031	2.062	.97	1.00	<u>1.565</u> 1.560
1 1/4	2.88	3.12	1.188	2.312	1.03	1.25	<u>1.755</u> 1.750
1 1/2	3.25	3.69	1.406	2.750	1.09	1.50	<u>2.125</u> 2.115
2	3.81	4.00	1.688	3.062	1.09	2.00	<u>2.500</u> 2.490
2 1/2	4.28	4.50	2.00	3.500	1.47	2.50	<u>3.005</u> 2.995
3	5.16	5.31	2.438	4.188	1.59	3.00	<u>3.625</u> 3.615

THREAD (NORMAL FLANGE SIZE)	K DIA	SPOTFACE DIA SHCS	SOC HD CAP SCREW (THREADED FLANGE)	HEX OR SOC HD CAP SCREW (SOCKET WELD)	"O" RING ARP-568 UNIFORM DASH
1/2	.344	.469	5/16-18 x 1 1/2" Lg.	5/16-18 x 1 1/2" Lg.	-210
3/4	.406	.594	3/8-16 x 1 1/2" Lg.	3/8-16 x 1 1/2" Lg.	-214
1	.406	.594	3/8-16 x 1 3/4" Lg.	3/8-16 x 1 3/4" Lg.	-219
1 1/4	.469	.656	7/16-14 x 1 3/4" Lg.	7/16-14 x 1 3/4" Lg.	-222
1 1/2	.531	.781	1/2-13 x 2" Lg.	1/2-13 x 2" Lg.	-225
2	.531	.781	1/2-13 x 2" Lg.	1/2-13 x 2 1/2" Lg.	-228
2 1/2	.531	.781	1/2-13 x 2 1/2" Lg.	1/2-13 x 2 3/4" Lg.	-232
3	.656	.937	5/8-11 x 2 3/4" Lg.	5/8-11 x 3" Lg.	-237

Fluid Power Data