



INDUSTRIAL FLUID POWER COMPONENTS
AND SYSTEMS

DR SERIES

Direct Acting Relief Valves - Aluminum Body



DR3H-6-2-4FP-4A1-K



DR Series Direct Acting Relief Valves

Anodized Aluminum Body
 Cap, Stem, Knob- 316SS
 Spring 18-8SS
 Plastic Knob Available

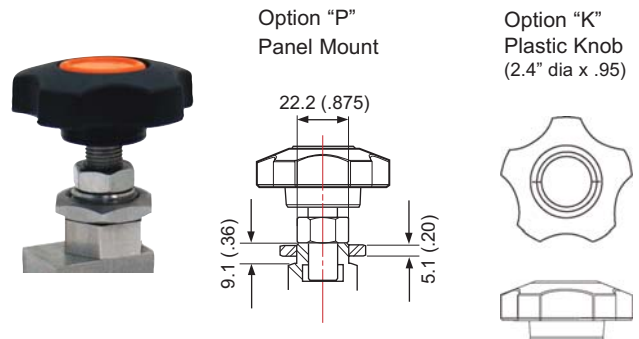
Common Models

	2 GPM Max. Low Leakage Direct Acting	6 GPM Max. Sliding Poppet- Differential Area Relief- 5/32" Orifice Direct Acting
3000 psi max	1/4" NPT DR3H-6-2-4FP-4A1 (1/8" Orifice)	1/4" NPT DR11-2.5-4FP-6A1 3/8" NPT DR11-2.5-6FP-6A1
4500 psi max	1/4" NPT DR3H-6-2-4FP-5A1 (1/8" Orifice)	1/4" NPT DR11-2.5-4FP-7A1 3/8" NPT DR11-2.5-6FP-7A1

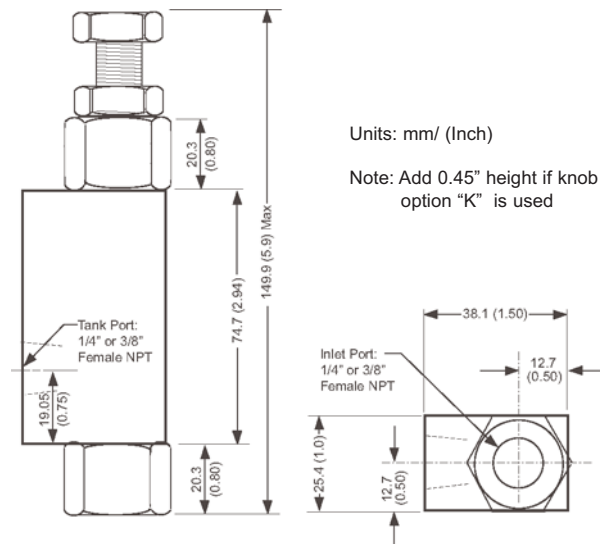
- For best results use valve at 1/2 of the maximum set pressure.
- 2 GPM valve (1/8" orifice) is well suited for control of pilot vents.

Maximum Set Pressure- 3/8" Valve Body						
ORIFICE SIZE						
	1.5 (3/32")	2 (1/8")	3 (3/16)	4 (1/4")	6 (3/8")	
SPRING	-1	570	325	150	80	70
	-2	1,250	750	330	180	80
	-3	2,550	1,500	670	360	160
	-4	5,100	2,950	1,330	730	330
	-5	10,400	6,050	2,700	1,450	650
	-6	21,000	12,500	5,440	3,000	1,300
	-7	30,000	18,750	8,330	4,600	2,000

Select spring with a maximum pressure 2 times the required pressure



Dimensional Data



Units: mm/ (Inch)

Note: Add 0.45" height if knob option "K" is used

Ordering Information

DR1H - 6 - 2 - 4FP - 6FP - 5A1 - Options

1= Buna, 2= Viton

Style	Size	Orifice (dia.)	Port Size (Inlet)	Spring
DR1H = Non-Guided, Excellent Re-seat (90%), Low Flows- 3/32" & 1/8" orifices only, 12,000 psi max., 2 gpm max.	6 = 3/8"	1.5 = 3/32" 2 = 1/8" 4 = 1/4" 6 = 3/8" 8 = 1/2" 10 = 5/8"	4FP = 1/4" 6FP = 3/8" 4FA = 9/16"-18 Aminco	1 2 3 4 5 6
DR3H = Externally Guided, Quiet All pressure/ flow ranges (all orifices and springs shown above)				
DR10H = Short Body-Economical, Non-Guided, Good Re-seat (85%), Low Flows 1/8" orifice only, 12,500 psi max., 1 gpm max.				
	OPTIONS Option "P" - Panel Mounting (Std. for 3/8" valve) Option "K" - Plastic Knob (2.4" dia x .95)		Port Size (Outlet) 4FP = 1/4" 6FP = 3/8" 4FA = 9/16"-18 Aminco	Omit if same as the inlet