



INDUSTRIAL FLUID POWER COMPONENTS
AND SYSTEMS



C6 SERIES

Stainless Steel Check Valves

C6-8FP-D4



C6-4FP-D4

Standard Features

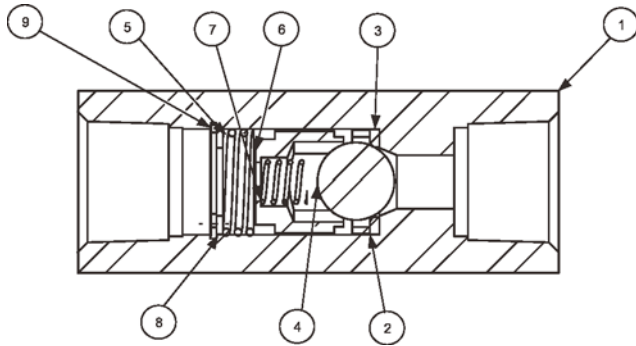
- Dual Seat Design
- 1/4", 3/8", 1/2", 9/16"-18, 3/4" and 1" ports
- 10,000 thru 15,000 psi maximum
- Reinforced Teflon Seat



C6-8FP-D4

C6-4FP-D4

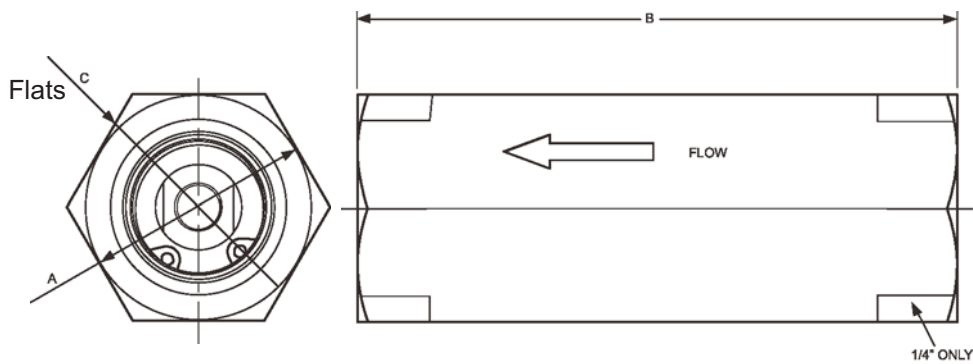
STANDARD MATERIAL SPECIFICATIONS



	Description	Material
1	BODY	316SS CW
2	RING	316SS CW
3	SOFT SEAT	30% GTFE
4	BALL	440C
5	SNAP RING	PH 15-7 MO
6	BALL RETAINER	316SS CW
7	PILOT SPRING	302SS
8	SPRING RETAINER	316SS CW
9	MAIN SPRING	302SS

Dimensional Data

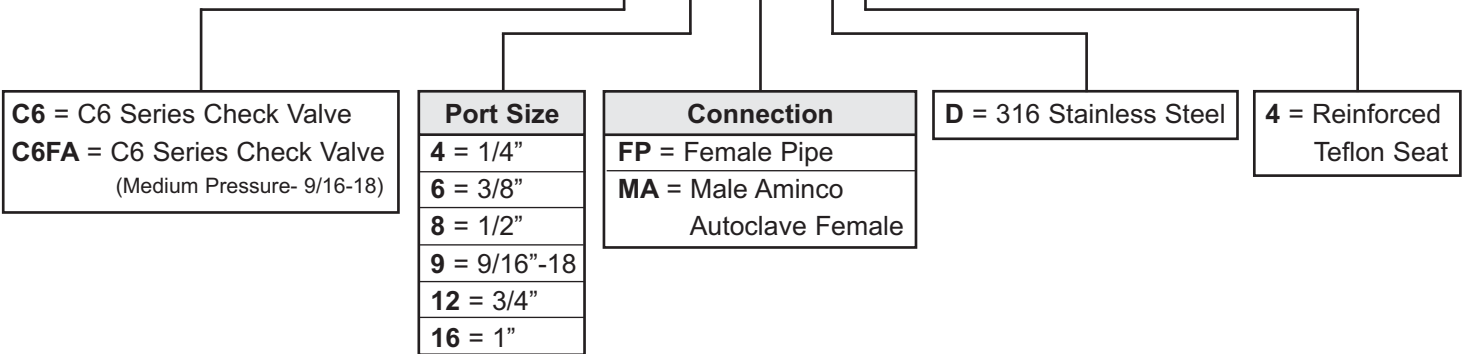
Units: mm (inches)



Max. Press.	Port Size	Model	CV	A	B	C (Flats)
15,000 psi	9/16"-18	C6-9MA-D4	1.25	34.8 (1.37)	89.0 (3.50)	
	1/4"	C6-4FP-D4	1.25	22.4 (0.88)	76.2 (3.00)	25.4 (1.00)
	3/8"	C6-6FP-D4	1.25	25.4 (1.00)	69.9 (2.75)	
	1/2"	C6-8FP-D4	2.16	30.0 (1.18)	79.2 (3.12)	
10,000 psi	3/4"	C6-12FP-D4	4.00	35.1 (1.38)	82.6 (3.25)	
	1"	C6-16FP-D4	5.00	44.5 (1.75)	108.0 (4.25)	

Ordering Information

C6 - 4 - FP - D 4



C6-9MA-D4



C6-16FP-D4