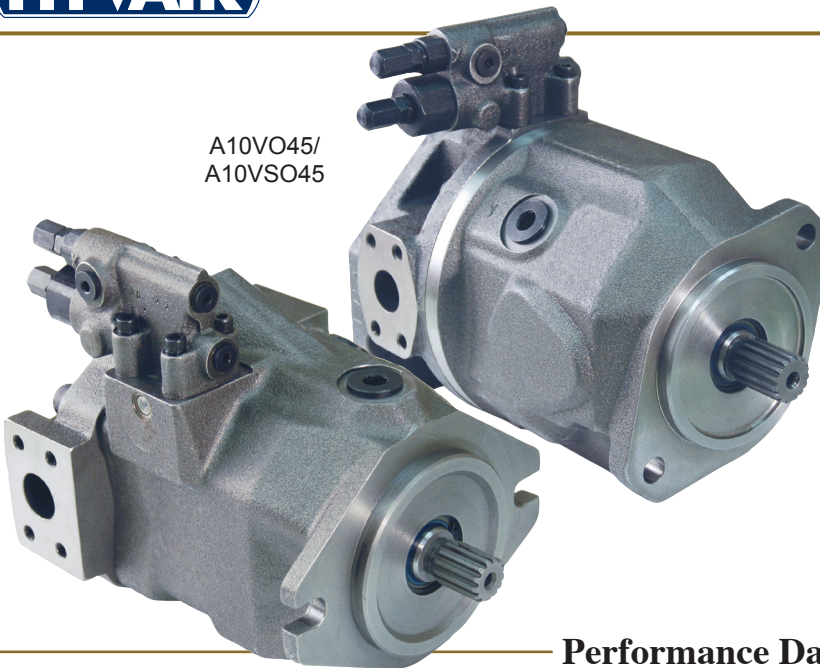


A10VO45/
A10VSO45



Specifications

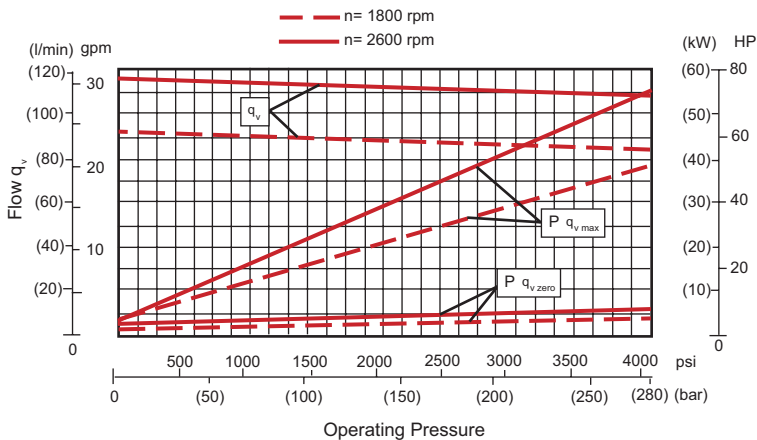
A10VO45/ A10VSO45
Inline (Series 52) & 45° (Series 31)

Working Pressure	4000 psi
Maximum Pressure	5000 psi
Maximum Speed	2600 rpm
Displacement per rev	2.75 cu-in (45.0 cc)
Flow @ 1800 rpm	21.4 gpm (81 lpm)
Maximum Torque	200 Nm (1770 in/lbs)
Weight	46.3 lbs (21 kgs)

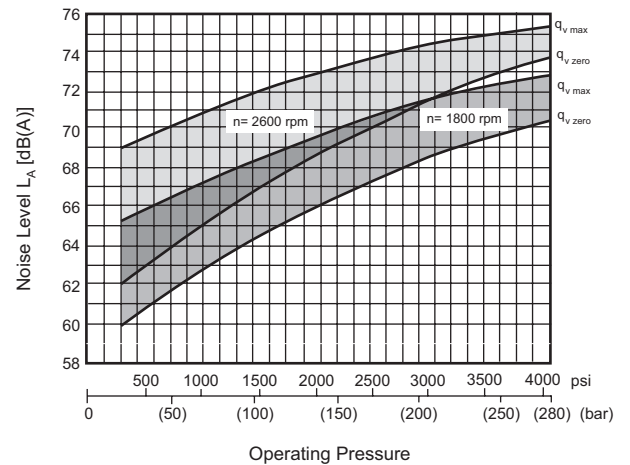
Performance Data

Typical performance curves based on ISO VG32 Oil @ 122°F, (50°C)

Pressure vs. Flow



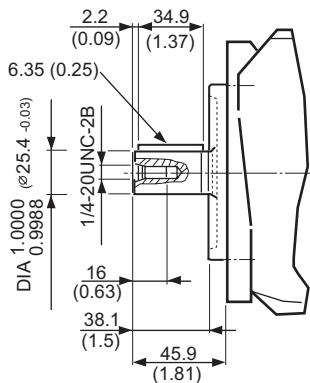
Noise Level



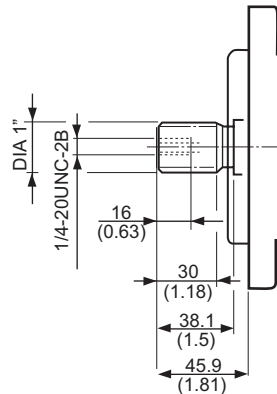
Shaft Ends

Units: mm (inches)

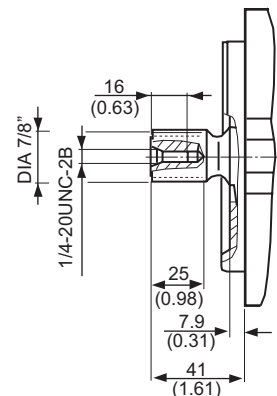
K Straight Keyed Shaft 1" dia.
SAE BB 1.375" long w/ 1/4" key



S Splined Shaft 1" dia.
SAE BB 15T (16/32 DP)



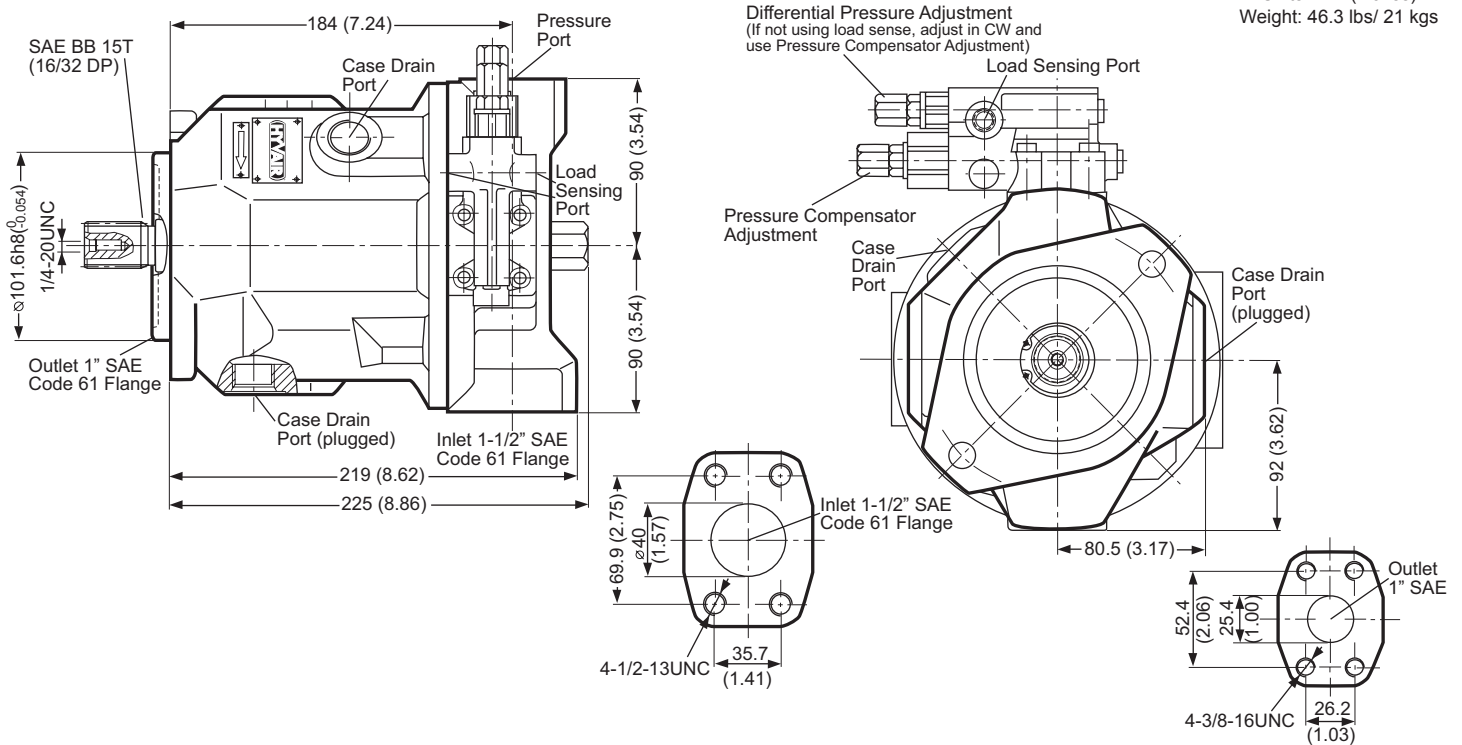
U Splined Shaft 7/8" dia.
SAE B 13T (16/32 DP)



Dimensional Data

A10VO45DFR/31R-PSC62-K01 - (PCP21-4K-2BBS-2AS-2) (Rear SAE A Drive)

Units: mm (inches)
Weight: 46.3 lbs/ 21 kgs



Ordering Information

A10VSO 45 DFR - 52 R - P U C 62 - N00

