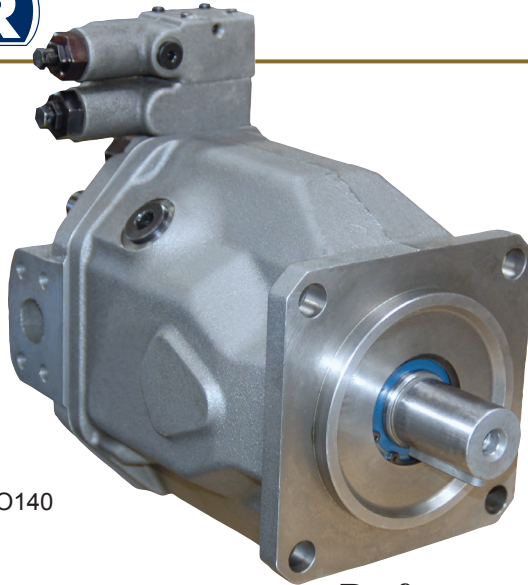




A10V140 Series

Mobile Piston Pumps

SAE D
Inline



A10VSO140

Specifications

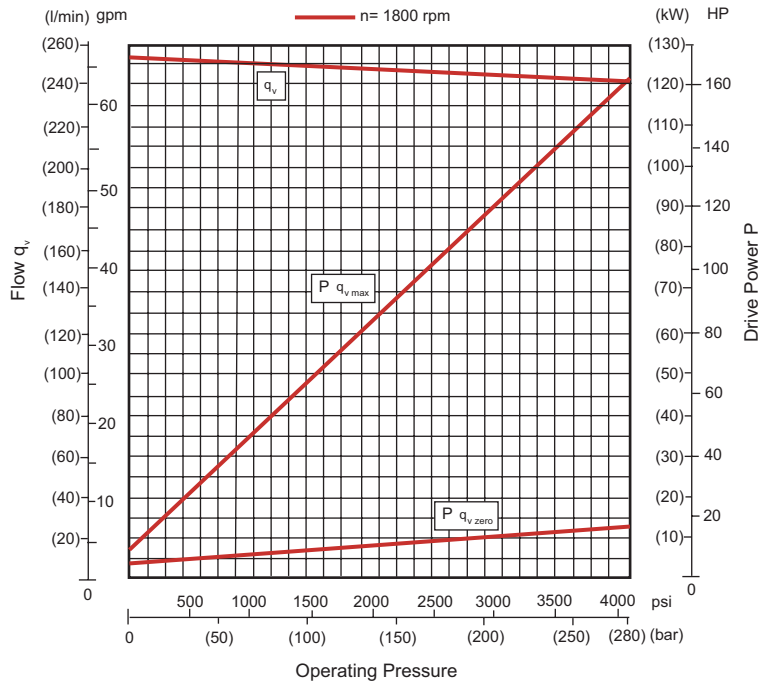
A10VSO140 (Series 31)

Working Pressure	4000 psi
Maximum Pressure	5000 psi
Maximum Speed	1800 rpm
Displacement per rev	8.54 cu-in (140.0 cc)
Flow @ 1800 rpm	67 gpm (252 lpm)
Maximum Torque	623 Nm (5514 in/lbs)
Weight	132 lbs (60 kgs)

Performance Data

Typical performance curves based on ISO VG32 Oil @ 122°F, (50°C)

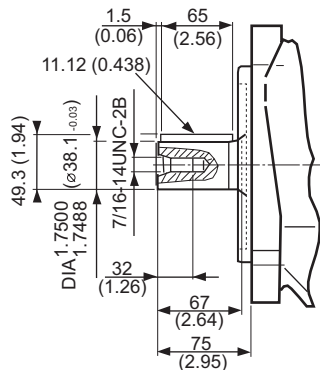
Pressure vs. Flow



Shaft Ends

Units: mm (inches)

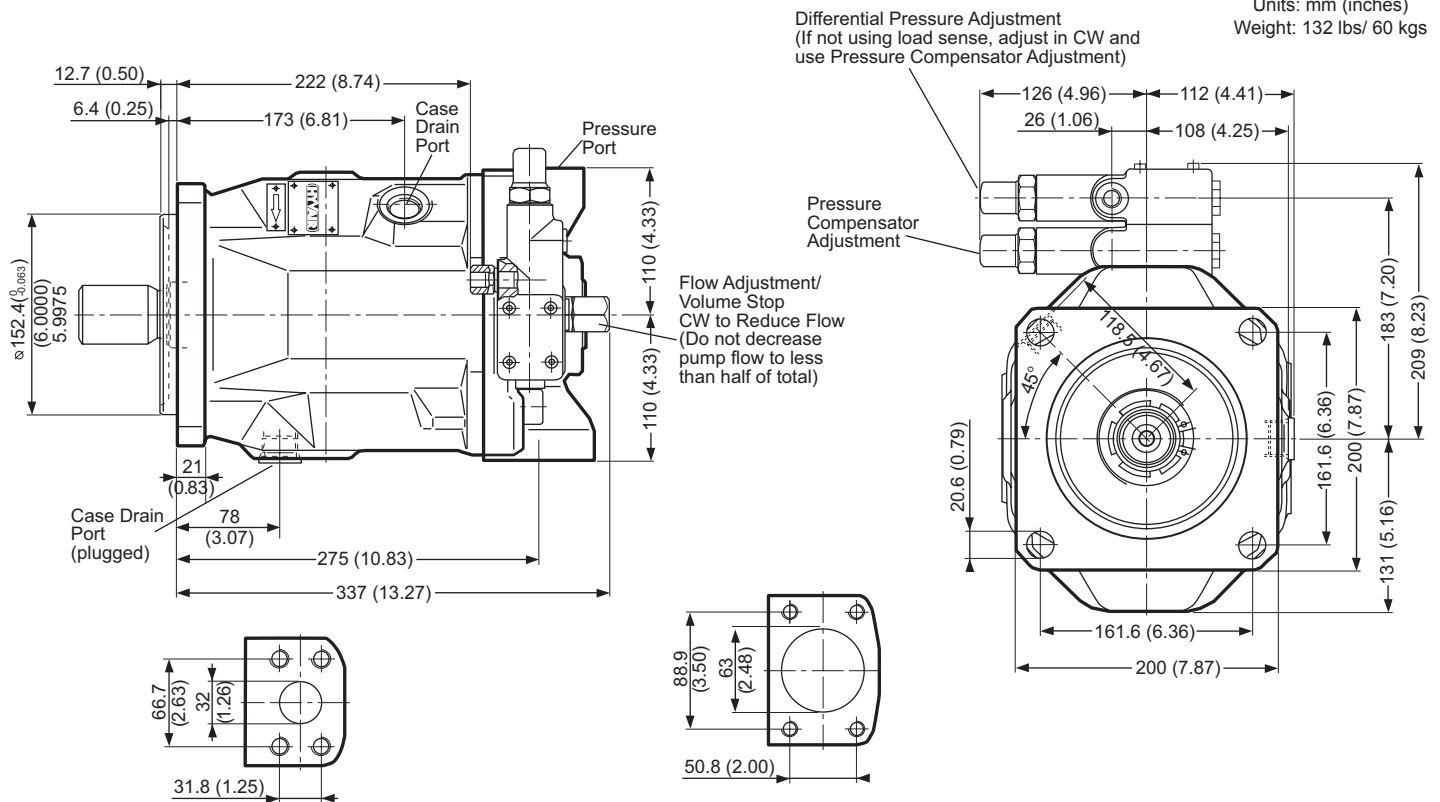
K Straight Keyed Shaft 1-3/4" dia.
SAE D 2.56" long w/ .438" key



Dimensional Data

A10VSO140DFR/31R-PKD62-N00 - (PCP46-4DK-2)

Units: mm (inches)
Weight: 132 lbs/ 60 kgs



Ordering Information

A10VSO 140 DFR - 31 R - P K D 62 - N00

