



A10VSO100

### Specifications

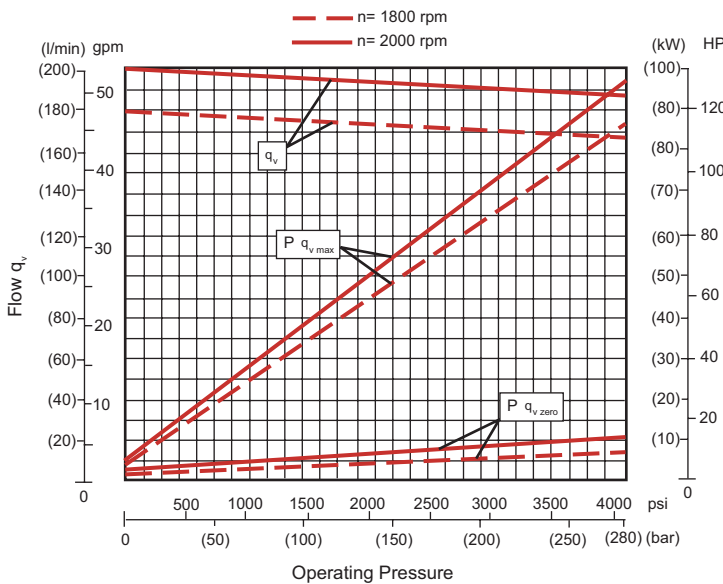
#### A10VSO100 90° (Series 31)

<b>Working Pressure</b>	4000 psi
<b>Maximum Pressure</b>	5000 psi
<b>Maximum Speed</b>	2000 rpm
<b>Displacement per rev</b>	6.10 cu-in (100.0 cc)
<b>Flow @ 1800 rpm</b>	47.5 gpm (180 lpm)
<b>Maximum Torque</b>	445 Nm (3939 in/lbs)
<b>Weight</b>	99.2 lbs (45 kgs)

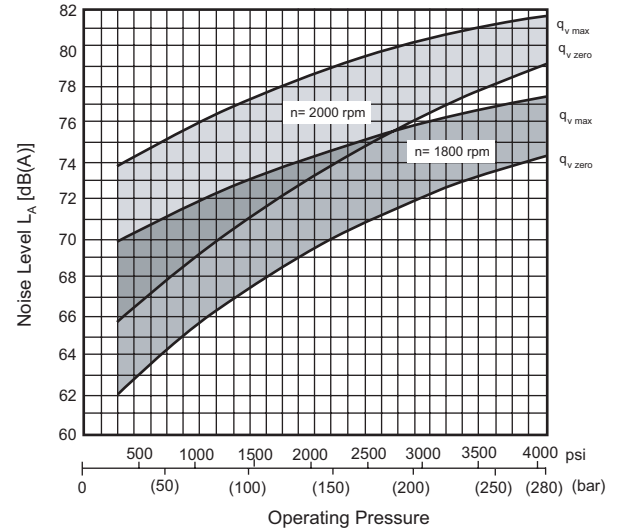
### Performance Data

Typical performance curves based on ISO VG32 Oil @ 122°F, (50°C)

#### Pressure vs. Flow



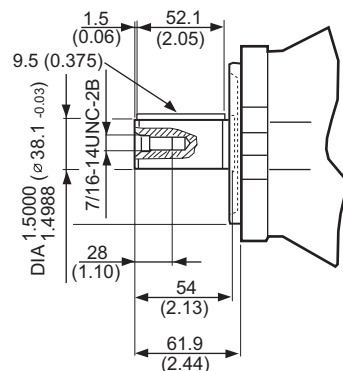
#### Noise Level



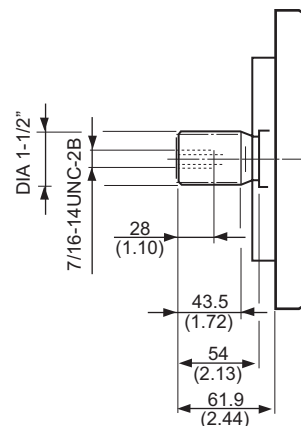
### Shaft Ends

Units: mm (inches)

**K** Straight Keyed Shaft 1-1/2" dia.  
SAE CC 2.05" long w/ 3/8" key



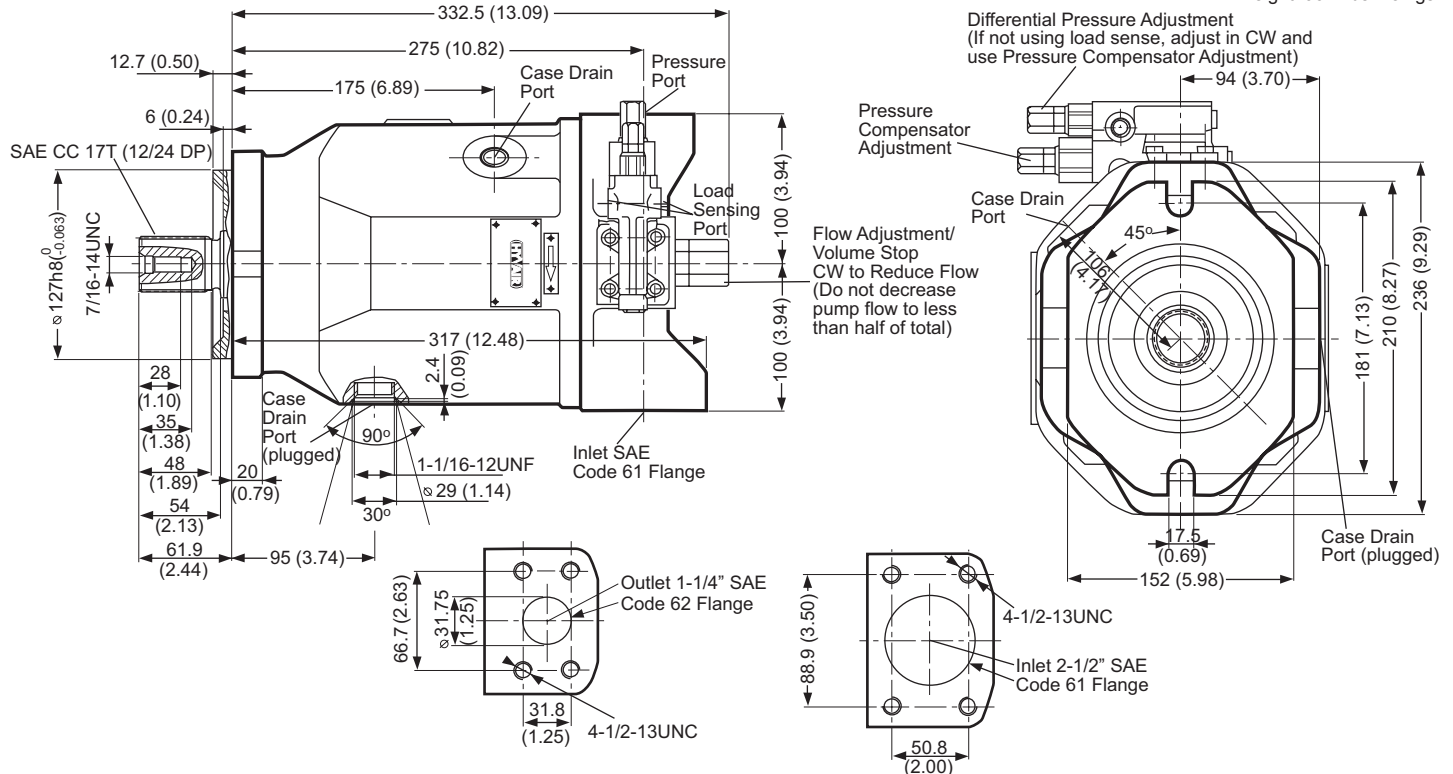
**S** Splined Shaft 1-1/2" dia.  
SAE CC 17T (12/24 DP)



### Dimensional Data

#### A10VSO100DFR/31R-PSC62-N00 - (PCP47-4K-2CCS-2)

Units: mm (inches)  
Weight: 99.2 lbs/ 45 kgs



### Ordering Information

#### A10VSO 100 DFR - 31 R - P K C 62 - N00

