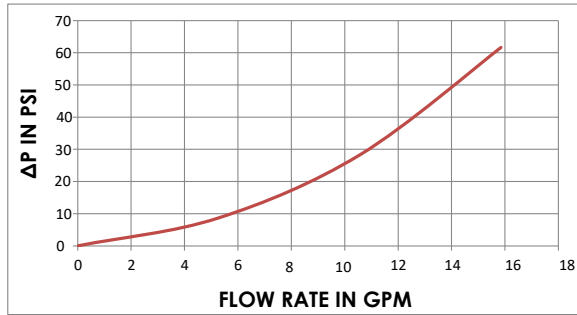


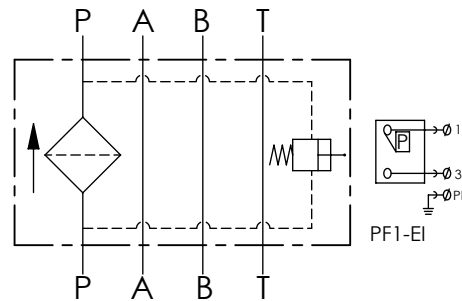
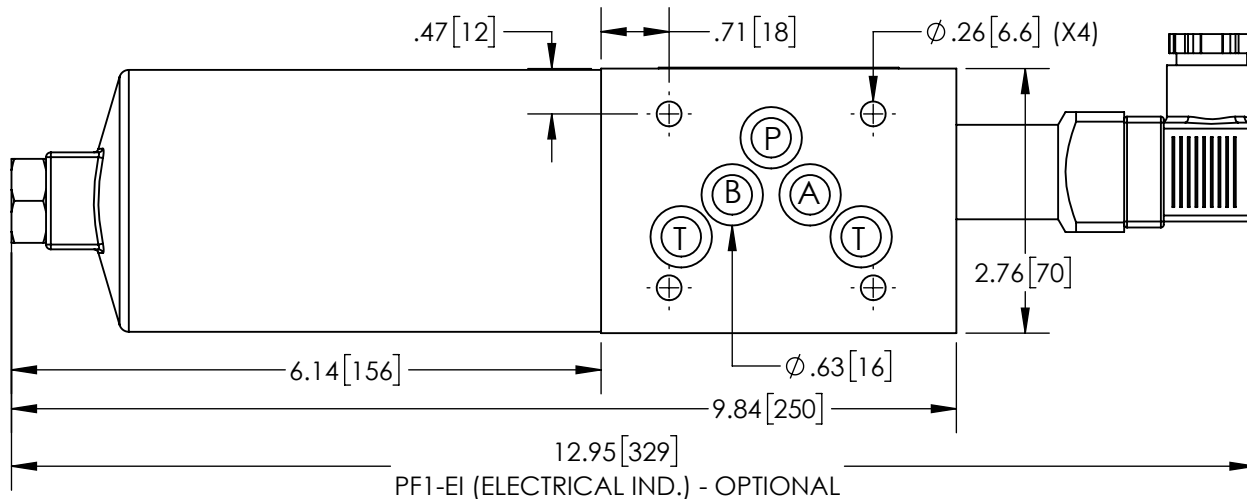
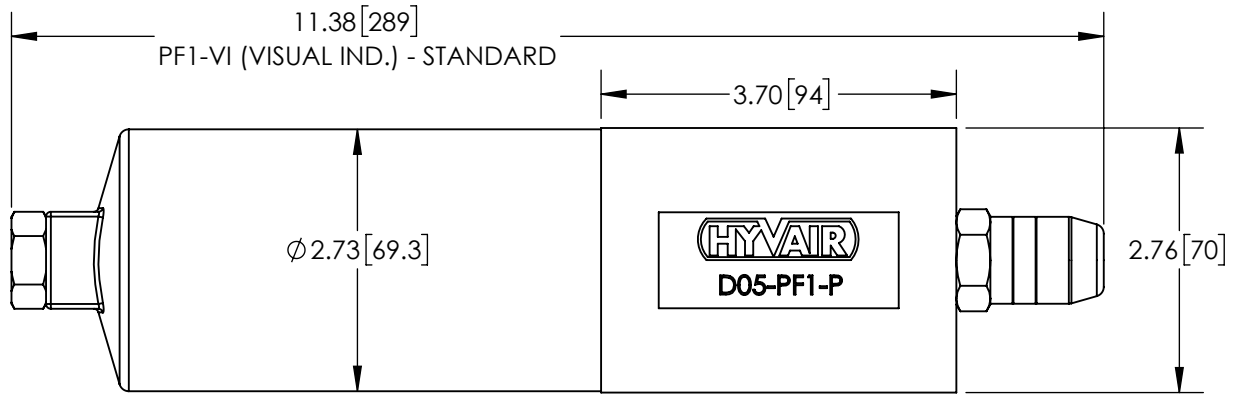
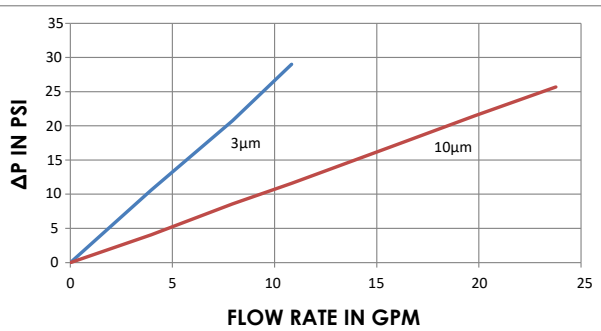
AP-Q HOUSING CURVES BASED ON ISO 3968

The housing curves apply to mineral oil with a density of 0.86 kg/dm³ and a kinematic viscosity of 30 mm²/s. In this case, the differential pressure changes proportionally to the density.



AP-Q filter Element

The gradient coefficients in PSI/(GPM) apply to mineral oils with a kinematic viscosity of 30 mm²/s. The pressure drop changes proportionally to the change in viscosity.



DETAIL FOR P/N:
D05-PF1-P



31341 Friendship Dr.
Magnolia, TX 77355
P: (281) 259-7768
F: (281) 259-7249
sales@hyvair.com

SCALE: 1:2 UNITS: INCH [mm]

BOLTS

SHCS 1/4-20 x 4.25"
w/ Hi Collar Lock Washers
(1) Solenoid Valve

OPTIONAL COMPONENTS

INDICATORS

ELECTRICAL: PF1-EI
VISUAL: PF1-VI (STANDARD)

REPLACEMENT ELEMENTS

3 MICRON: D05-PFE-3
10 MICRON: D05-PFE-1 (STANDARD)