



AIR OIL COOLERS

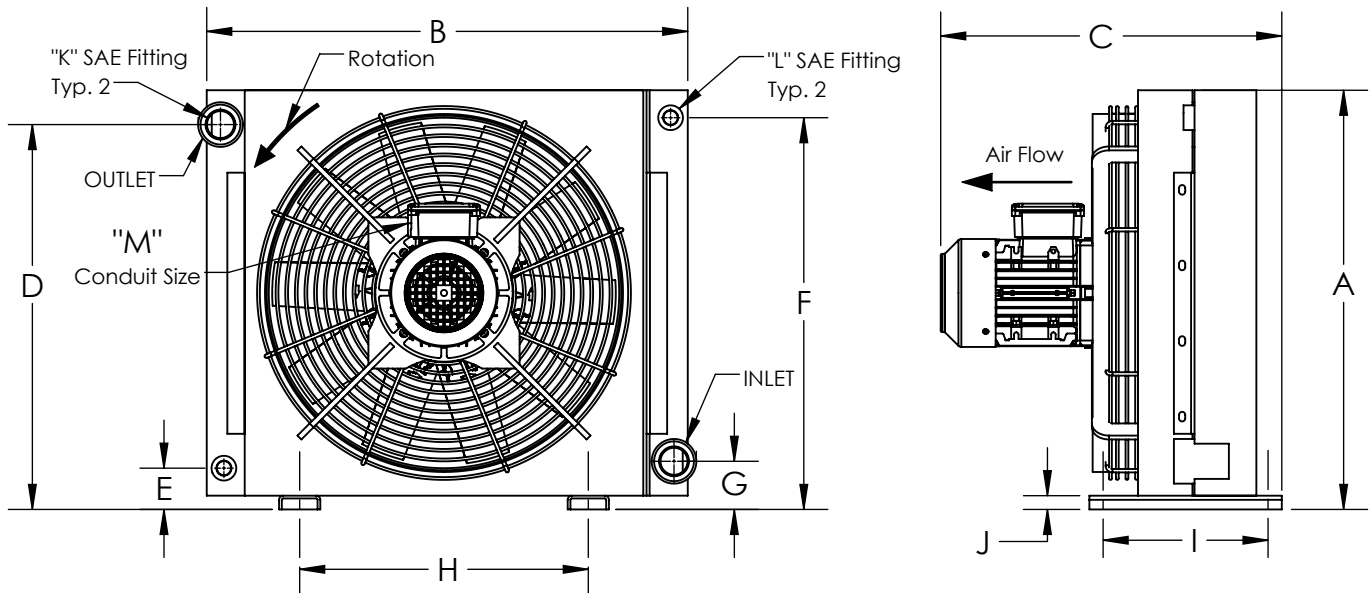
AC SERIES

COOLER FEATURES



- **Low Noise:** Coolers utilized motors with slower fan speeds for reduced noise levels.
- **High Performance:** Louvered fan blade design provides high heat transfer rates.
- **AC-Motor Powered Fan:** Units will come standard with 3-Phase VAC motors.
- **Dual Connections:** Two connection sizes for use as a case drain cooler or a return line cooler.
- **Available:** Units are in stock ready for immediate shipping

COOLER DIMENSIONS



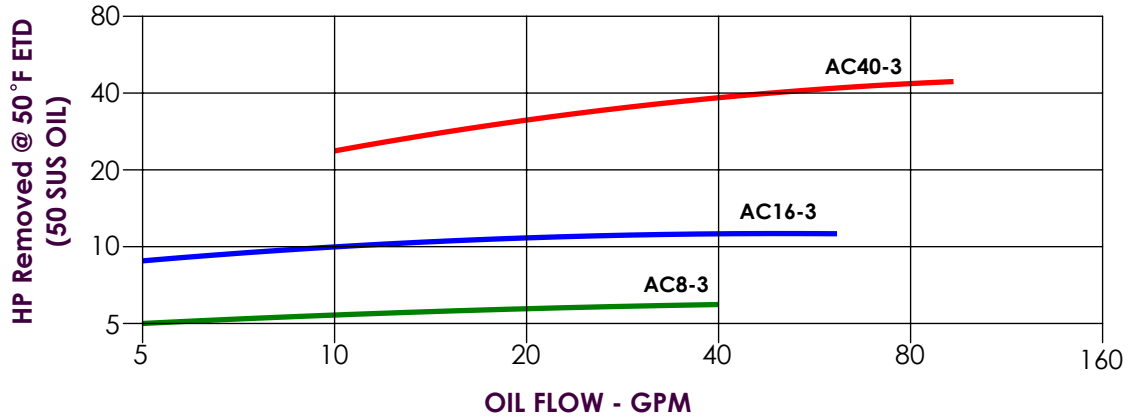
DIMENSIONAL DATA (INCHES)			
	MODEL		
	AC8-3	AC16-3	AC40-3
A	14.2	16.9	24.0
B	13.8	17.7	27.6
C	14.8	16.1	18.0
D	11.8	15	22.0
E	1.4	2.4	2.4
F	12.9	15.4	22.4
G	4.8	2.4	2.8
H	11.93 (0 ϕ .55 x4)	7.45 (ϕ 0.6*1.0 x4)	16.54 (ϕ 0.6*1.0 x4)
I	7.09	9.45	9.45
J	2.5	0.8	0.8
K	#12 SAE	#16 SAE	#20 SAE
L	#8 SAE	#8 SAE	#8 SAE
M	3/8" NPT	3/8" NPT	1/2" NPT



AIR OIL COOLERS

AC SERIES

HEAT REJECTION TABLE



TECHNICAL DATA TABLE

MODEL	HP [KW] RPM (60Hz)	MOTOR FRAME	VOLTAGE (3-PHASE) VAC	HZ	FLA 230/460 VAC	WORKING PRESSURE (PSI)	APPROX. SHIP WEIGHT (lb.)
AC8-3	1/4 [.18] 1575	63	230/460 190/380	60 50	1.25/.63	375	50
AC16-3	1/3 [.25] 1610	63	230/460 190/380	60 50	1.56/.78	375	60
AC40-3	1 [.75] 1745	80	230/460 190/380	60 50	3.18/1.59	215	170

