



INDUSTRIAL FLUID POWER COMPONENTS  
AND SYSTEMS

# SD03, 5, 7 & 8 SERIES

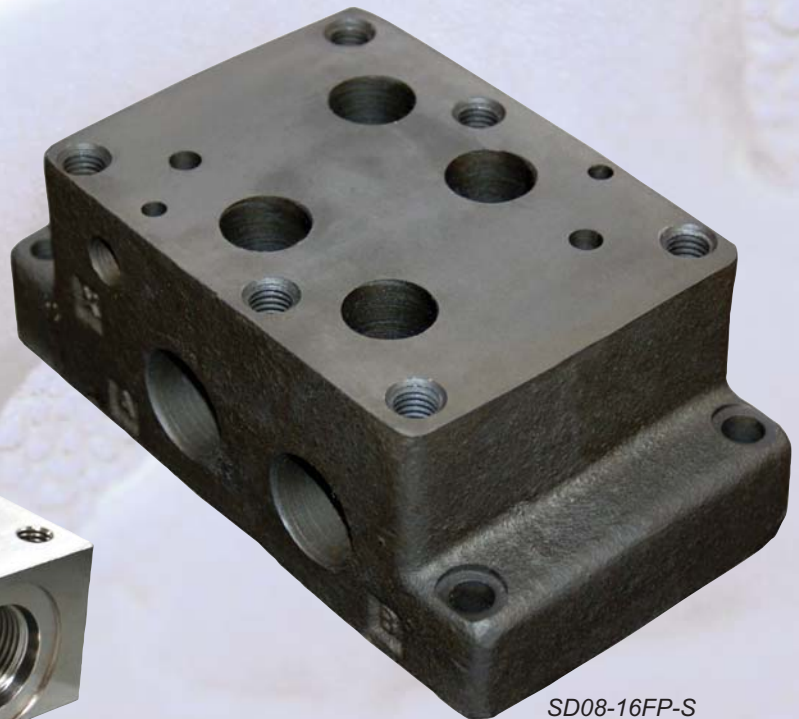
## Subplates



SD03-6FP-S



SD05-8FP-S



SD08-16FP-S



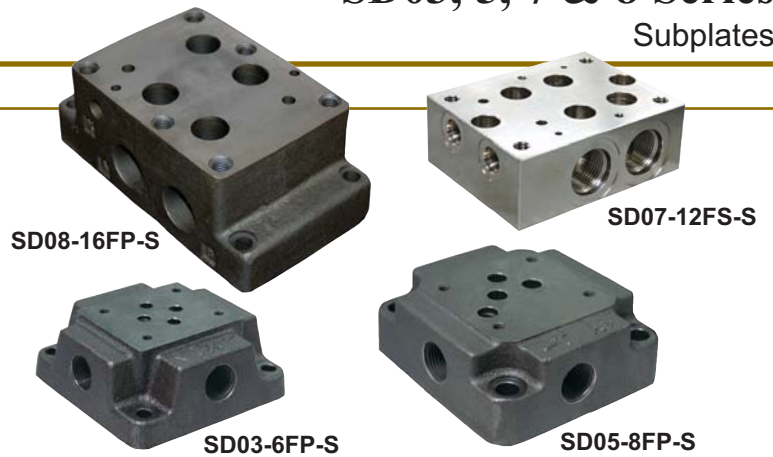
SD07-12FS-S



# SD03, 5, 7 & 8 Series Subplates

## Features

- Rugged Design:** Heavy duty subplates handle pressure shocks and severe applications.
- Easy Valve Replacement:** Subplate mounted valves allow for quick valve replacement without disrupting plumbing.
- New High Flow D05:** SD05H-16FS-S Subplates with two tank line connections to the D05 pattern.



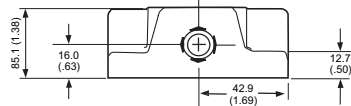
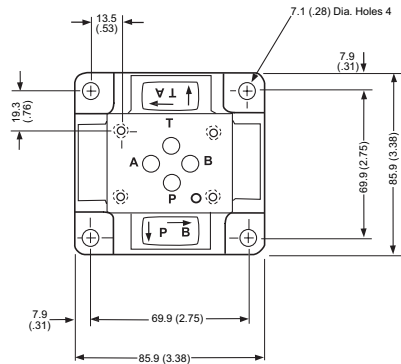
## Specifications

Size	D03	D05	D07	D08
<b>Mounting Surfaces: General Patterns</b>		<b>D05- Standard</b> 		
<b>Model Number</b>				
<b>Side Ports</b>	SAE Ports: SD03-6FS-S NPT Ports: SD03-6FP-S	SD05-8FS-S SD05-8FP-S	SD07-12FS-S N/A	SD08-16FS-S SD08-16FP-S
<b>Bottom Ports</b>	SAE Ports: N/A NPT Ports: SD03-6FP-B	N/A SD05-8FP-B	SD07-12FS-B N/A	N/A N/A
<b>Mounting Surface</b>	NFPA: T3.5.1.MR1-F1984-03 ISO: ISO 4401-03	T3.5.1.MR1-F1984-D05 ISO 4401-05		T3.5.1.MR1-D08 ISO 4401-08
<b>Nominal Flow Rates</b>	5 gpm (19 lpm)	12 gpm (45 lpm)		50 gpm (190 lpm)
<b>Material</b>	Ductile Cast Iron	Ductile Cast Iron	Nickel Plated Steel	Ductile Cast Iron
<b>Maximum Pressure</b>	Cast Iron 5000 psi (350 bar) Aluminum (optional) 3000 psi (210 bar)			
<b>Recommended Fluids</b>	Petroleum Based Fluids- ISO VG32-68, Phosphate Ester, Most Vegetable Oils, Water Based Fluids to 40% Water			

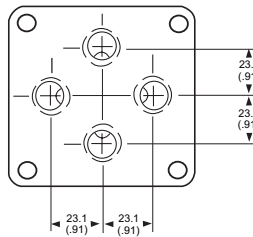
### Dimensional Data

Units: mm/ (Inch)

#### Series SD03

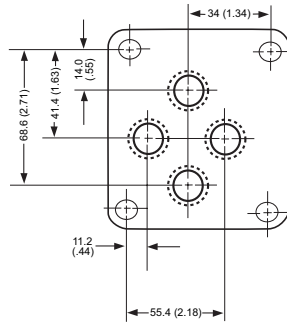
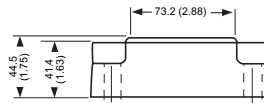
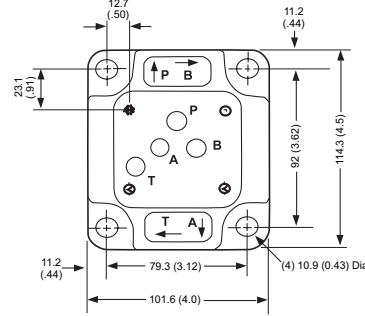


**SD03-6F\*-S**  
Side Ported

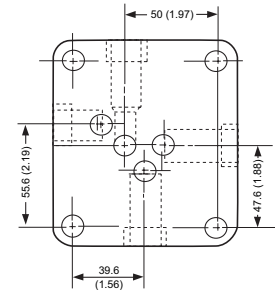
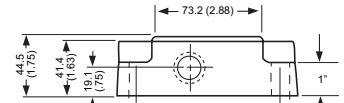
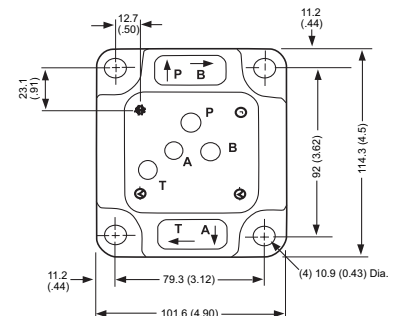


**SD03-6FP-B**  
Bottom Ported

#### Series SD05

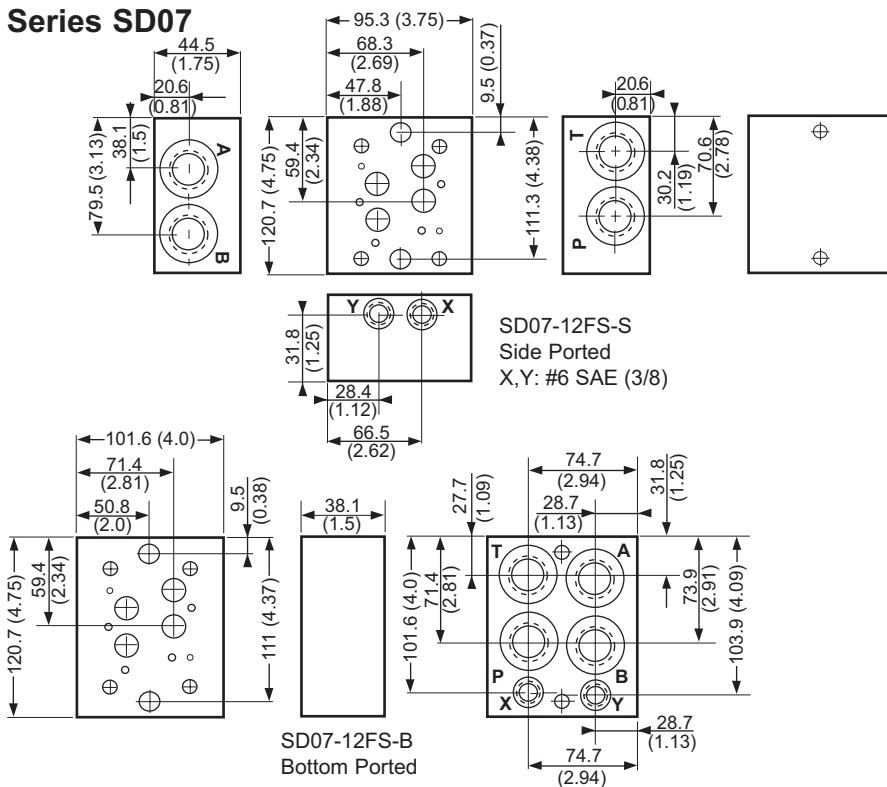


**SD05-8FP-B**  
Bottom Ported



**SD05-8F\*-S**  
Side Ported

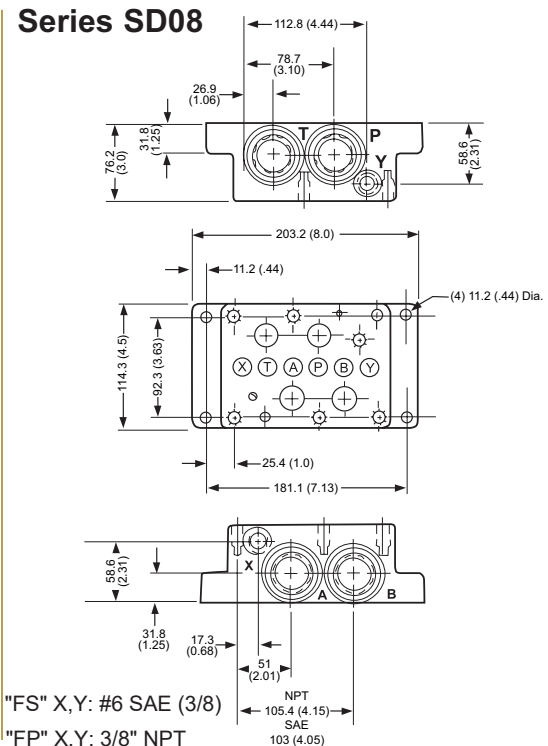
#### Series SD07



**SD07-12FS-S**  
Side Ported  
X,Y: #6 SAE (3/8)

**SD07-12FS-B**  
Bottom Ported

#### Series SD08



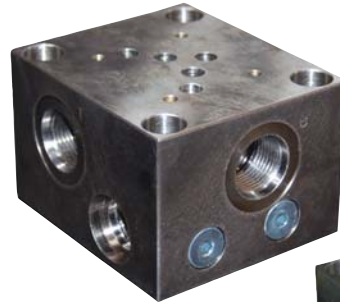
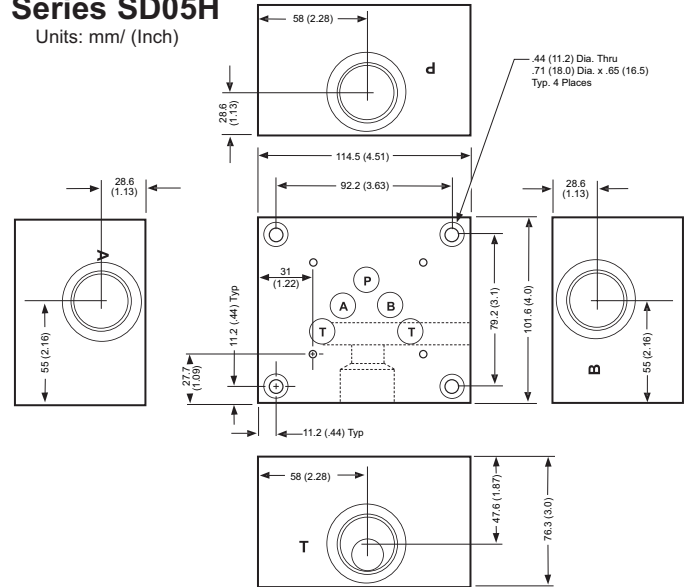
"FS" X,Y: #6 SAE (3/8)  
"FP" X,Y: 3/8" NPT

### Dimensional Data

Size		D05
Mounting Surfaces: General Patterns		<b>D05H- High Flow</b>
Model Number		
Side Ports	SAE Ports	SD05H-12or16FS-S SD05H-12FS-C-S (w/ relief cavity)
	NPT Ports	N/A
Bottom Ports	SAE Ports	N/A
	NPT Ports	N/A
Mounting Surface	NFPA	T3.5.1.MR1-D05
	ISO	ISO 4401-05
Nominal Flow Rates		25 gpm (95 lpm)
Material		Nickel Plated Steel
Recommended Fluids		Petroleum Based Fluids- ISO VG32-68, Phosphate Ester, Most Vegetable Oils, Water Based Fluids to 40% Water

### Series SD05H

Units: mm/ (Inch)



SD05H-12FS-C-S



### Ordering Information

