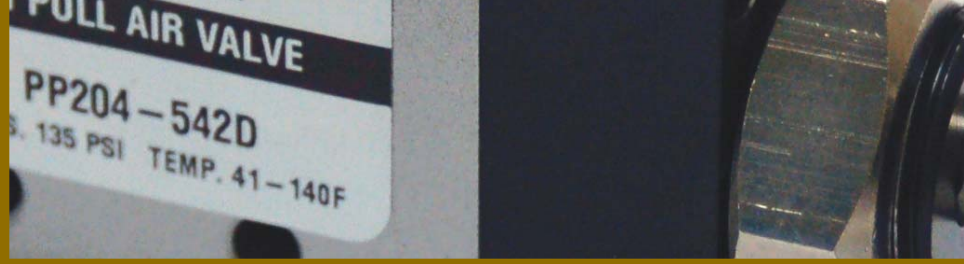


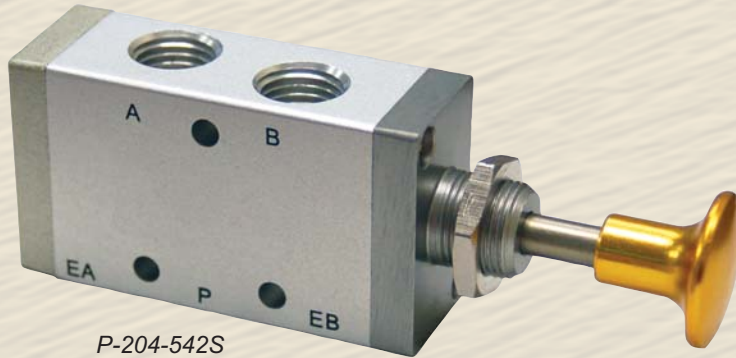


INDUSTRIAL FLUID POWER COMPONENTS  
AND SYSTEMS



## P-PP-AVNPP SERIES

### Push Pull Valves



P-204-542S



AVNPP-604-542S



PP-204-542D



# P-PP-AVNPP Series

## Push Pull Valves

### Specifications

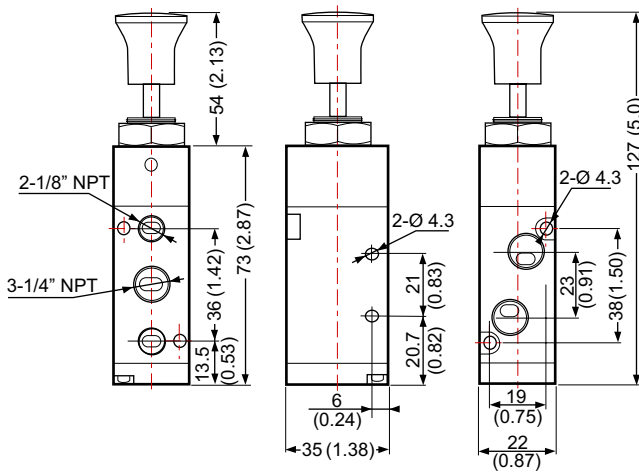
- **Media:** Air (No other gases or liquids)
- **Operation:** Manual - Direct
- **Operating Temp. Range:** 23° - 176F° (5° - 80°C)
- **Maximum Pressure:** 150 psig (10.3 bar)
- **Working Pressure:** 0 - 135 psig (0 - 9.3 bar)
- **Lubrication:** None Required



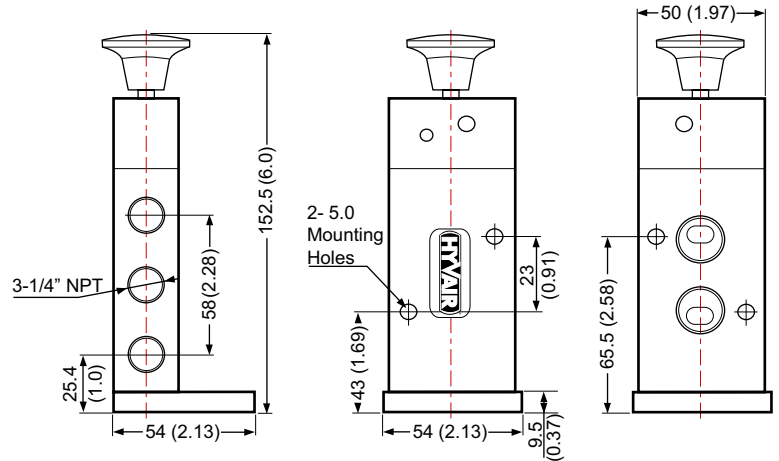
### Dimensional Data

mm (inches)

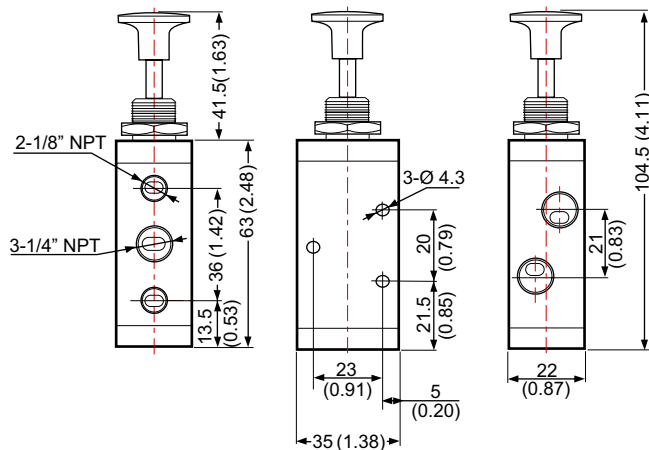
#### Push Pull Valve PP-204



#### Namur Push Pull Valve AVNPP-604



#### Pull Valve P-204



### Ordering Information

#### PP - 204 - 542D

P Series Pull Valves	204	1/4" Ports
	406	3/8" Ports
	604	1/4" Ports
PP Series Push Pull Valves	606	3/8" Ports
	AVNPP Series Push Pull Namur Valves	

332D	3 Port, 3 Way, 2 Pos., Detented
542D	5 Port, 4 Way, 2 Pos., Detented
542S	5 Port, 4 Way, 2 Pos., Spring Return