

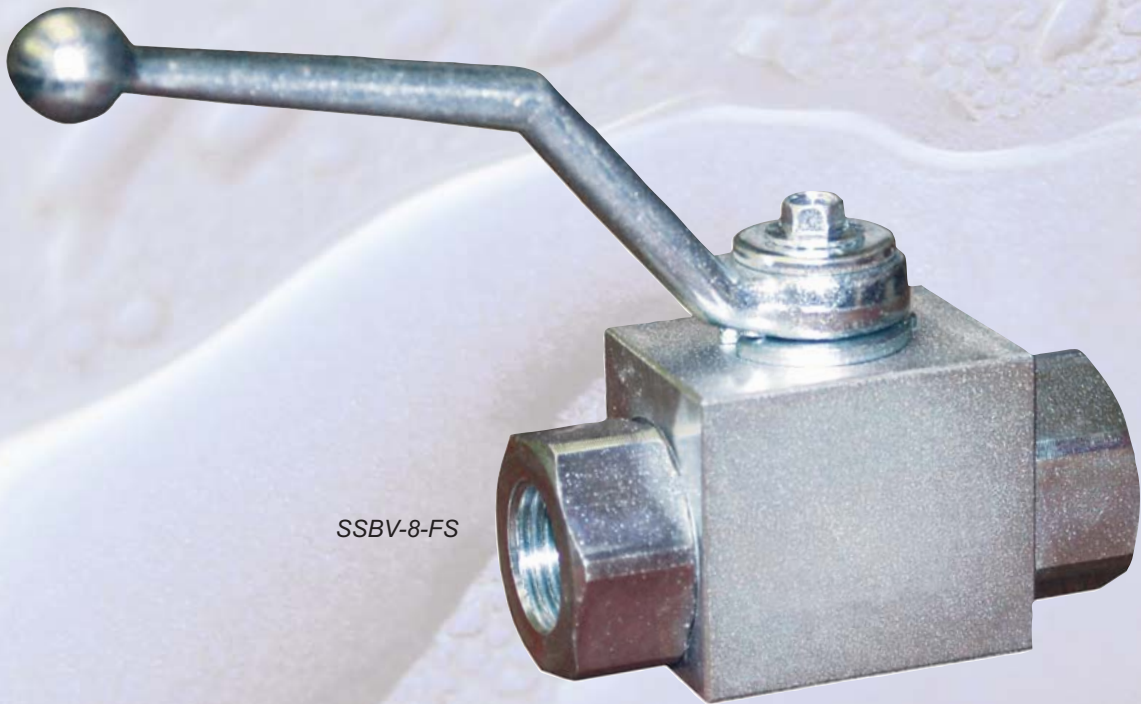


INDUSTRIAL FLUID POWER COMPONENTS
AND SYSTEMS



SS SERIES

Stainless Steel Ball Valves- High Pressure



SSBV-8-FS

Specifications

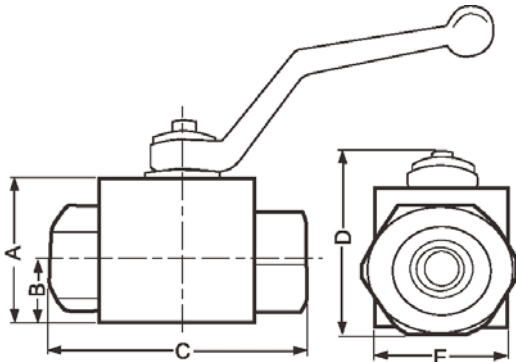
- 1/4" thru 2" Female NPT or SAE
- 3 Piece, Full and Reduced Port Design
Block Style Bodies are Full Port Up To 1"
Block Style Bodies Exceeding 1" are Reduced Down to a 1" Port
Round Body Valves are Full Port
- 7250 psi Maximum
- 316 Stainless Steel
- Temperature Rating: -30 to 212°F, (-35 to 100°C)
- Intended for Medium to High Pressure Hydraulic & Water Applications



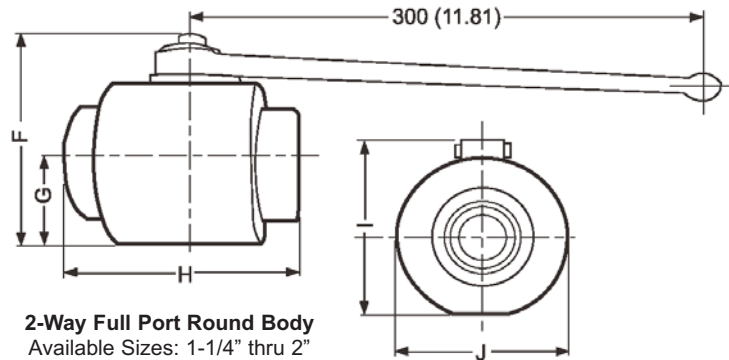
SSBV-8-FS

Dimensional Data

Units: mm (inches)



2-Way Block Style - Full & Reduced Port
Available Sizes: 1/4" thru 1-1/2"



2-Way Full Port Round Body
Available Sizes: 1-1/4" thru 2"

SIZE	A	B	C	D	E	F	G	H	I	J	Max Press
1/4"	35 (1.38)	14 (.55)	71 (2.80)	49 (1.93)	30 (1.18)	—	—	—	—	—	7250 psi
3/8"	40 (1.57)	17 (.67)	73 (2.87)	54 (2.13)	35 (1.38)	—	—	—	—	—	7250 psi
1/2"	43 (1.69)	18 (.71)	83 (3.27)	57 (2.24)	37 (1.46)	—	—	—	—	—	7250 psi
3/4"	55 (2.17)	23 (.91)	95 (3.74)	73 (2.87)	45 (1.77)	—	—	—	—	—	5800 psi
1"	65 (2.56)	29 (1.14)	113 (4.45)	83 (3.27)	55 (2.17)	—	—	—	—	—	5075 psi
1-1/4"	65 (2.56)	29 (1.14)	121 (4.76)	83 (3.27)	55 (2.17)	83 (3.25)	42 (1.65)	115 (4.53)	101 (3.98)	88 (3.46)	5075 psi
1-1/2"	65 (2.56)	29 (1.14)	124 (4.88)	83 (3.27)	55 (2.17)	98 (3.86)	48 (1.89)	131 (5.16)	115 (4.53)	102 (4.03)	5075 psi
2"	—	—	—	—	—	103 (4.06)	52 (2.03)	140 (5.51)	120 (4.72)	109 (4.29)	5075 psi

Ordering Information

SSBV - 4 - FP

