

FILTRATION

IN-TANK FILTERS



1-1/4" thru 2"



ITF 450 In-Tank Filter

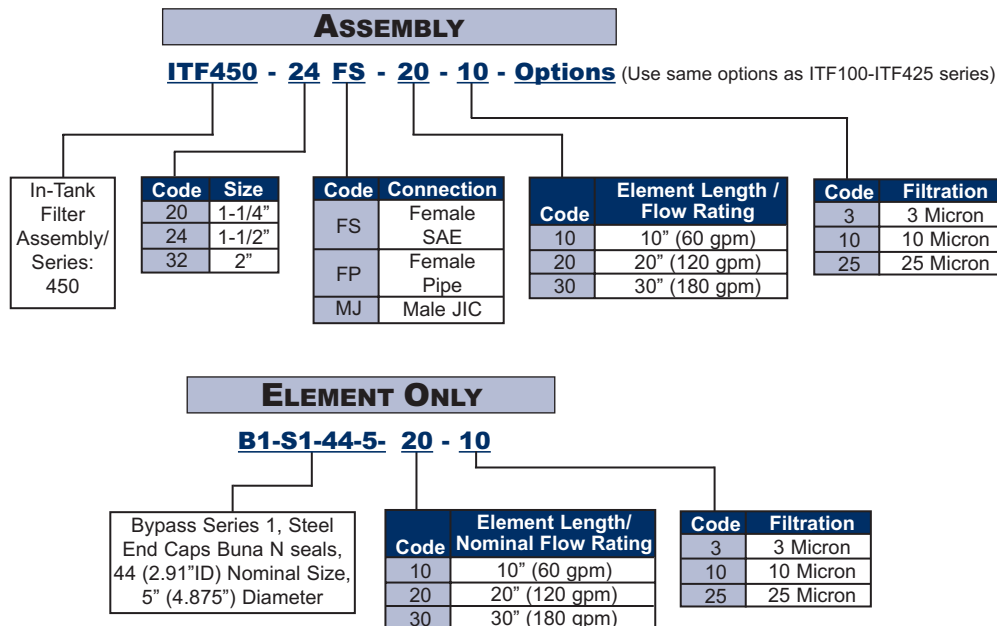
Features

- Easy Filter Replacement:** Elements replaced without disrupting plumbing, no tools required for changing elements.
- No Line Drainage:** In tank filter system reduces wasted oil.
- Less Waste:** Only the element must be discarded.
Full Flow By-pass: Large reusable bypass check can full flow without excessive pressure drop.
Multiple Ports: Two return connections, #24 female
- SAE, supplied standard but NPT and JIC connections may also be supplied. Two #6 female SAE gauge/ pressure switch ports supplied standard.

Specifications

Maximum Pressures	Filter Head	400 psi (28 bar) Minimum Burst
	Element	150 psi Differential Collapse w/ 50 psi Reusable Bypass Valve
Temperature	-15° F to +230° F (Viscosities Permitting)	
Recommended Fluids	Petroleum Based Fluids- ISO VG32-68, Phosphate Ester, Most Vegetable Oils, Water Based Fluids to 40% Water	
Materials	Filter Housing	Steel
	Filter Element	Absolute- Inorganic Microfiber w/ Support

Ordering Information



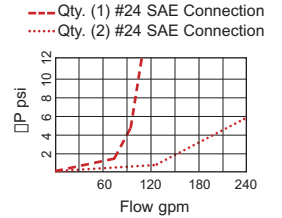
FlowRatings/ Common Models

Thread	Model Number	Filter Rating (microns) □ > 75	Model Number (Element Only)	Element Flow* (□P= 5 psi)	Normal Tank Size
(2) Female #24 SAE Ports (1-7/8"-12)	ITF450-24FS-10-3	3□ Absolute	10-3	30	100+ gallons
	ITF450-24FS-10-10	10□ Absolute	10-10	70	
	ITF450-24FS-10-25	25□ Absolute	10-25	100	
	ITF450-24FS-20-3	3□ Absolute	20-3	95	
	ITF450-24FS-20-10	10□ Absolute	20-10	160	
	ITF450-24FS-20-25	25□ Absolute	20-25	190	
	ITF450-24FS-30-3	3□ Absolute	30-3	130	
	ITF450-24FS-30-10	10□ Absolute	30-10	240	
	ITF450-24FS-30-25	25□ Absolute	30-25	270	

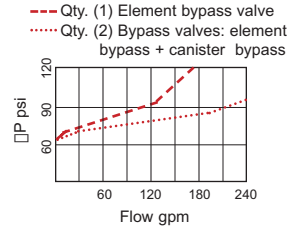
*Element GPM with viscosity of 150 SUS, Specific Gravity of .88 (ISO 32 Oil at 100° F).
Housing rating with (2) #24 SAE connections: 160 GPM @ □P= 10 psi
Total pressure drop= □P Housing + □P Element

1-1/4" thru 2"

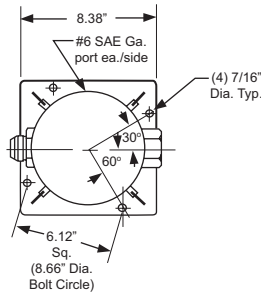
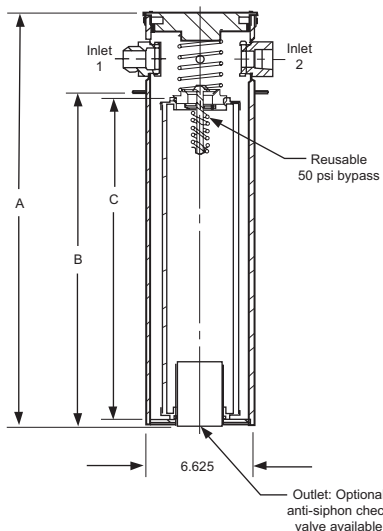
□P Housing*



□P Bypass Valve*



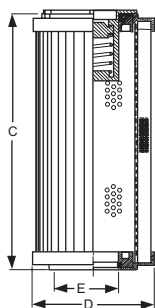
Dimensional Data



ITF450 In Tank Filter

Filter - Length	A	B (Insert Length)	C
F450-10	15.75	10.75	10
F450-20	25.75	20.75	20
F450-30	35.75	30.75	30

Units: Inches



ITF450 In Tank Filter Elements

Element -Length	C	D	E	Absolute Filter Area (Sq. In.)
B1-S1-44-5-10	10	4.875	2.91	1230
B1-S1-44-5-20	20	4.875	2.91	2460
B1-S1-44-5-30	30	4.875	2.91	3690

Units: Inches

