



Air Filter Pressure Regulators- BSeries

Specifications

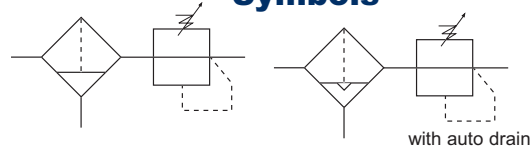
1. **Maximum Supply Pressure:** 220 psi (15.2 bar)
2. **Maximum Operating Pressure:** 145 psi (10.0 bar)
3. **Ambient & Media Temperature:** 41 - 140°F (5 - 60°C)
4. **Filtration*:** 25 μ m
5. **Bowl Material***:** Polycarbonate
6. **Metal Bowl Guard****:** Zinc
7. **Regulating Range**:** 5 - 120 psi (0.4 - 8.3 bar)
8. **Regulator Construction:** Relieving Type

*5 micron filter element

** Low Pressure Regulating Range: 5-35 psi

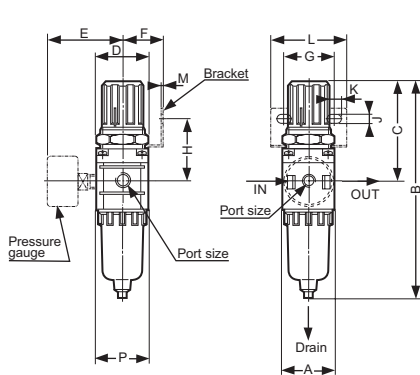
*** Metal Bowl is available on all series ****No guard on B200

Symbols

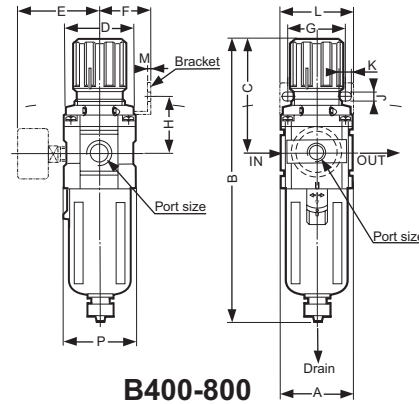


Dimensional Data

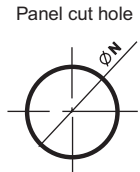
Units: mm/ (Inch)



B200



B400-800



Model	Port Size NPT	A	B	C	D	E	F	G	H	J	K	L	M	N	P	w/ Auto Drain B
B200	1/8" - 1/4"	39.9 (1.57)	164.6 (6.48)	78.0 (3.07)	40.1 (1.57)	56.9 (2.24)	30.0 (1.18)	34.0 (1.34)	45.0 (1.77)	5.3 (0.21)	15.5 (0.61)	55.1 (2.17)	2.3 (0.09)	33.5 (1.32)	39.9 (1.57)	198.4 (7.81)
B400	1/4" - 3/8"	53.1 (2.09)	211.1 (8.31)	92.5 (3.64)	53.1 (2.09)	60.7 (2.39)	40.9 (1.61)	40.1 (1.57)	46.0 (1.81)	6.6 (0.26)	7.9 (0.31)	52.6 (2.07)	2.3 (0.09)	42.4 (1.67)	55.9 (2.20)	248.9 (9.80)
B800	1/2"	70.1 (2.76)	261.9 (10.31)	112.0 (4.41)	70.1 (2.76)	69.6 (2.74)	50.0 (1.97)	54.1 (2.13)	54.1 (2.13)	8.4 (0.33)	10.4 (0.41)	70.1 (2.76)	2.3 (0.09)	52.6 (2.07)	72.9 (2.87)	301.5 (11.87)
B1600	3/4" - 1"	74.9 (2.95)	267.0 (10.51)	114.0 (4.49)	70.1 (2.76)	75.4 (2.97)	50.0 (1.97)	54.1 (2.13)	55.9 (2.20)	8.4 (0.33)	10.4 (0.41)	70.1 (2.76)	2.3 (0.09)	52.6 (2.07)	72.9 (2.87)	306.1 (12.05)

Ordering Information

B - 406 - A - Other Options

Code	Description
B	Filter/Regulator Combo

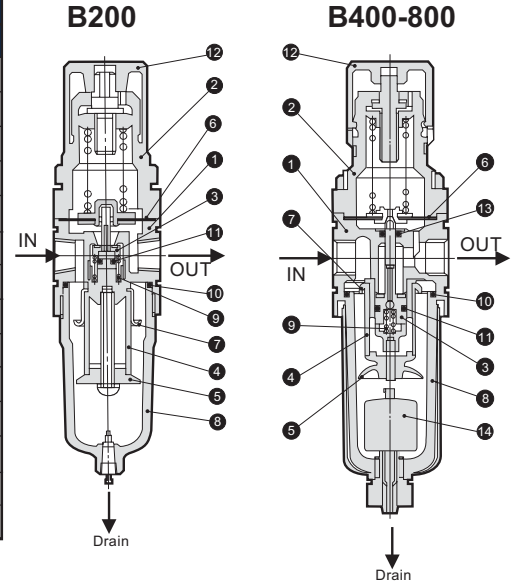
Model	Port Size
202	1/8"
204	1/4"
404	1/4"
406	3/8"
808	1/2"
1612	3/4"
1616	1"

Code	Option
omit	none
A	Auto Drain
G	Gauge

*5 micron filter element.
 **Low Pressure Regulating Range: 5-35 psi.

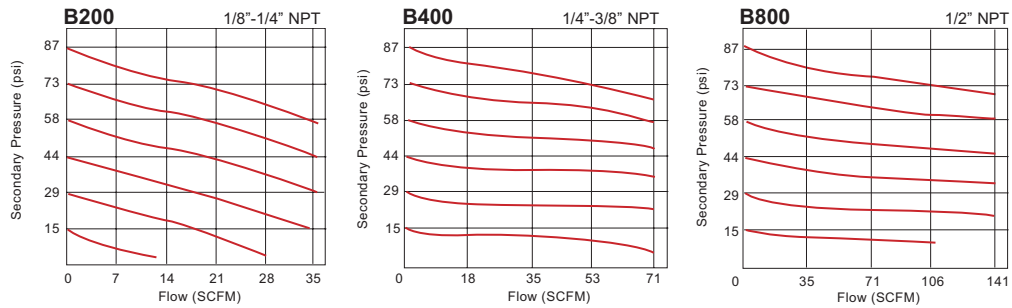
Parts Breakdown & Construction Material

No.	Name	Material		
		B200	B400	B800
1	Body	Zinc Die Casting	Aluminum Die Casting	
2	Bonnet	Reinforced Nylon		Aluminum Die Casting
3	Valve Assem.	Brass & Buna-N		
4	Filter Element	Bronze		
5	Baffle	ABS		
6	Diaphragm Assem.	Buna-N		
7	Deflector	ABS		
8	Bowl Assem.	Polycarbonate (With Zinc Bowl Guard)		
9	Valve Spring	Stainless Steel		
10	Case O-Ring	Buna-N		
11	Valve O-Ring	Buna-N		
12	Knob	Reinforced Nylon		
13	O-Ring	Buna-N		
14	Float	Formed PU		



Flow Data

Supply Pressure=100 psi



Pressure Data

Supply Pressure=100 psi Secondary Pressure = 29 psi Flow Rate = .7 SCFM

